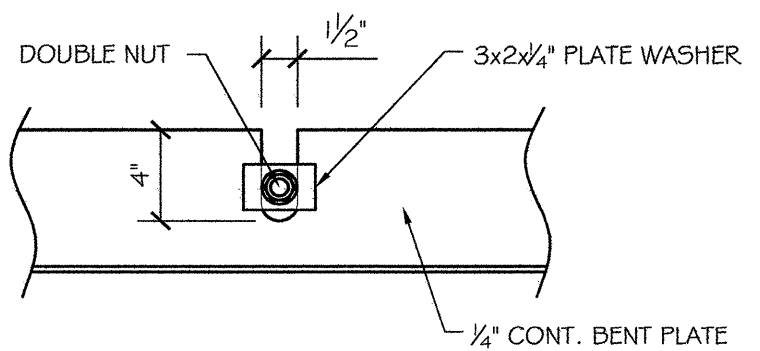
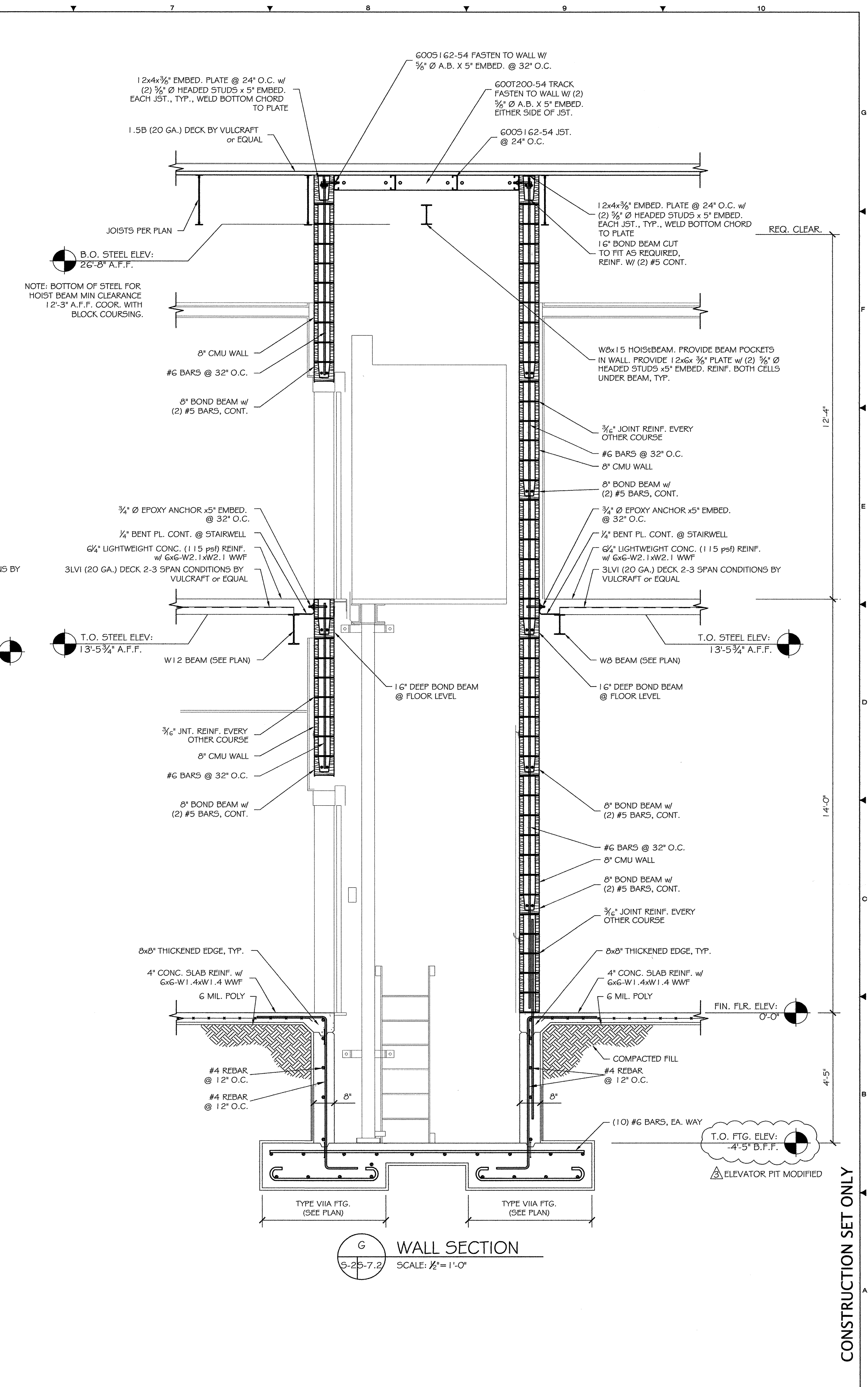


F WALL SECTION
 5-25-7.2 SCALE: 1/2" = 1'-0"



SECTION 'A-A'
 SCALE: 1/2" = 1'-0"



G WALL SECTION
 5-25-7.2 SCALE: 1/2" = 1'-0"

CURRY ENGINEERS, LLC.
 STRUCTURAL ENGINEERING
 ROOFING CONSULTANTS
 843-849-8765
 401 S. Broad Street
 Mount Pleasant, SC 29566
 WWW.CURRYENGINEERING.COM

CURRY ENGINEERS, LLC.
 No. C02848
 No. 21984

**OFFICES AT BELLE HALL
 BUILDING ONE
 MT. PLEASANT, S.C.**

REVISIONS:

ADDENDUM	01.27.06	PAC
GEN. REVISION	04.12.06	PAC
CONST. SET	04.25.06	PAC

LEGAL NOTICE
 DRAWINGS AND SPECIFICATIONS AS INSTRUMENTS OF SERVICE ARE THE PROPERTY OF THE ENGINEER WHETHER THE WORK FOR WHICH THEY ARE MADE BE EXECUTED OR NOT, AND ARE NOT TO BE USED ON OTHER WORK EXCEPT BY AGREEMENT WITH THE ENGINEER.

BUILDING SECTIONS

DRAWN BY:	J. BOYD
DESIGNED BY:	P. CURRY
CHECKED BY:	P. CURRY
DATE:	01.06.06
SCALE:	AS NOTED
JOB NO.:	25134
SHEET:	

5-7.2

CONSTRUCTION SET ONLY