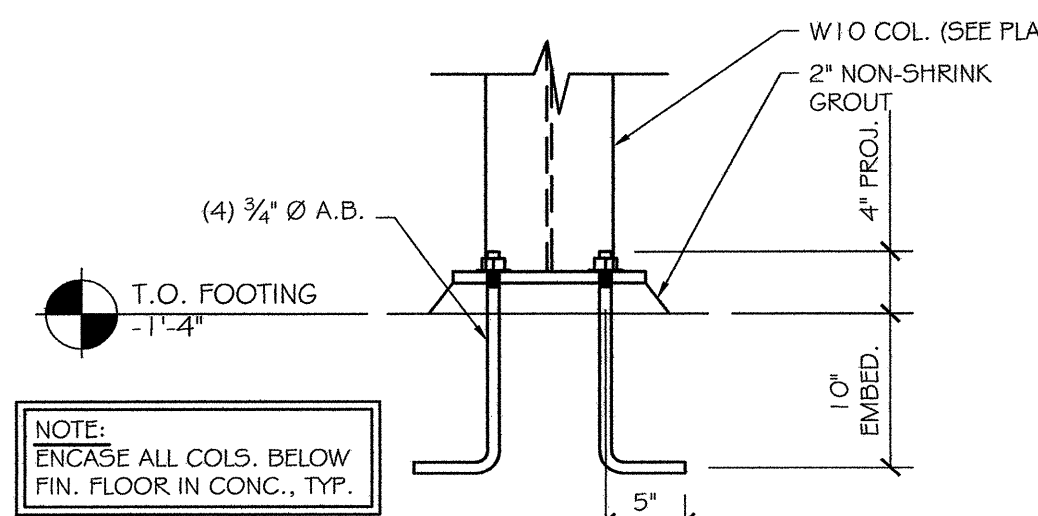


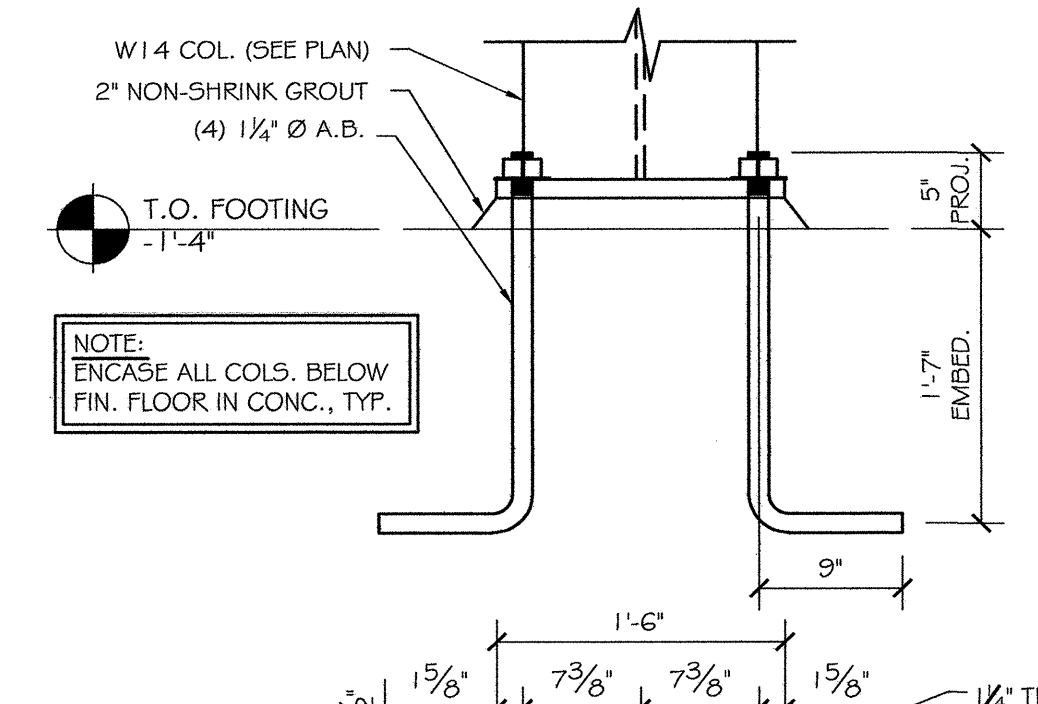
COLUMN LAYOUT PLAN
SCALE: 1/8" = 1'-0"

LEGEND:
F.O.S. FACE OF STUD/SLAB
B.P. BASE PLATE DESIGNATION

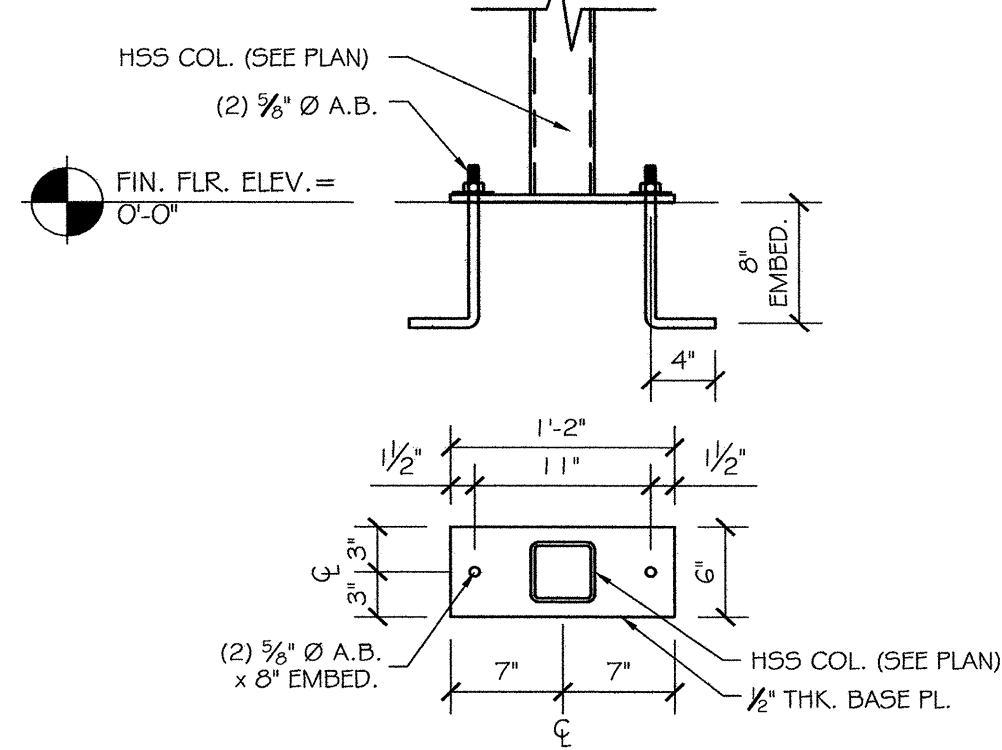
DARKENED LINE INDICATES
EDGE OF SLAB AND/OR
FACE OF STUD, TYP.



BASE PL. DETAIL (B.P. "A")
SCALE: 1" = 1'-0"



BASE PL. DETAIL (B.P. "B")
SCALE: 1" = 1'-0"



HSS COL. DETAIL (B.P. "C")
SCALE: 1" = 1'-0"

CURRY ENGINEERS, LLC.
STRUCTURAL ENGINEERING
ROOFING CONSULTANTS
843.849.8766
401 S. Broad Street, Suite 2000
Mt. Pleasant, SC 29566
WWW.CURRYENGINEERING.COM

**OFFICES AT BELLE HALL
BUILDING ONE
MT. PLEASANT, S.C.**

REVISIONS:

△	CONST. SET	04.25.06	PAC
△			
△			

LEGAL NOTICE
DRAWINGS AND SPECIFICATIONS
AS INSTRUMENTS OF SERVICE
ARE THE PROPERTY OF THE
ENGINEER WHETHER THE WORK
FOR WHICH THEY ARE MADE BE
EXECUTED OR NOT, AND ARE NOT
TO BE USED ON OTHER WORK
EXCEPT BY AGREEMENT WITH
THE ENGINEER.

**COLUMN LAYOUT
PLAN**

DRAWN BY:	J. BOYD
DESIGNED BY:	P. CURRY
CHECKED BY:	P. CURRY
DATE:	01.06.06
SCALE:	AS NOTED
JOB NO.:	25134
SHEET:	

CONSTRUCTION SET ONLY