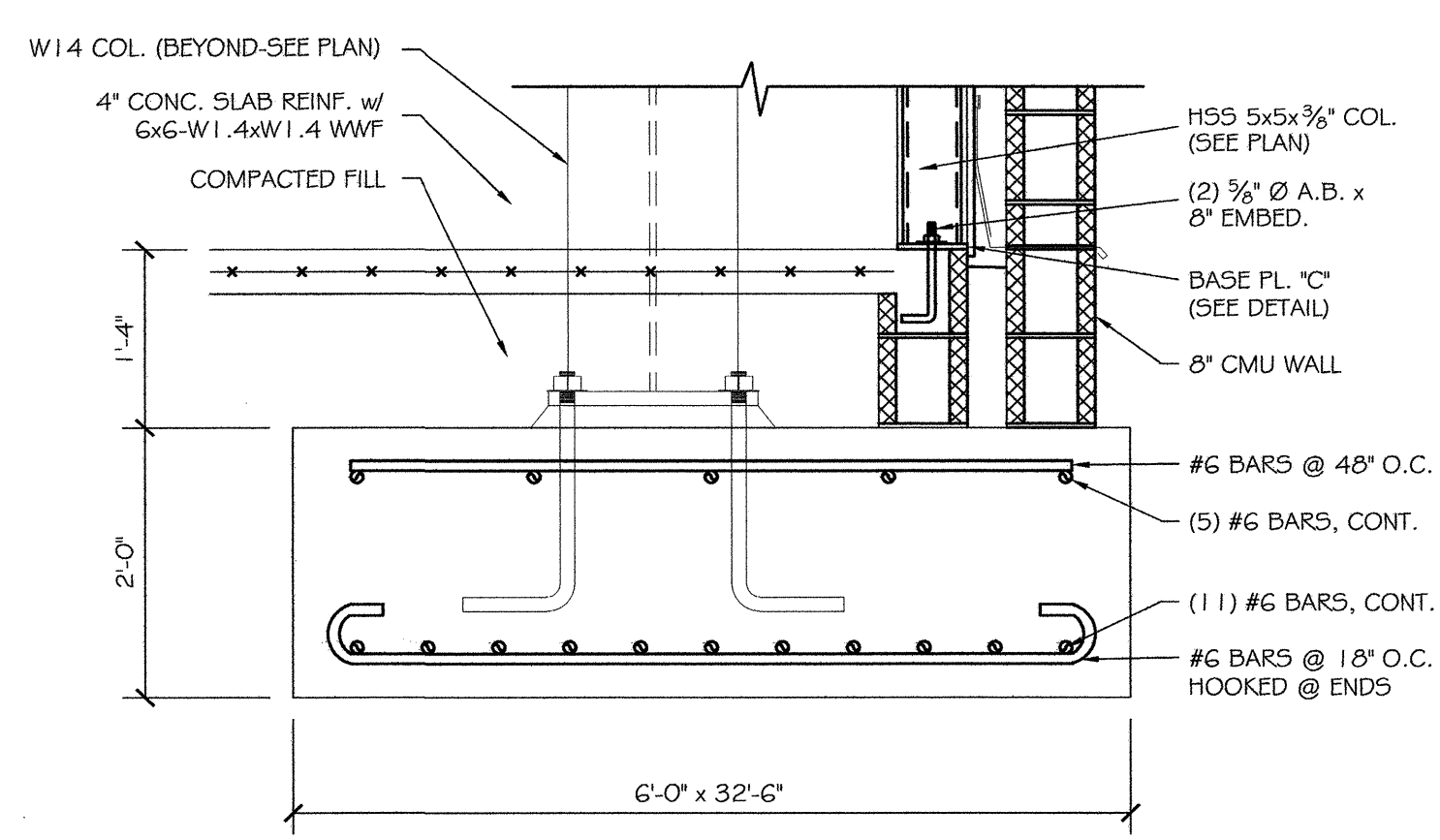
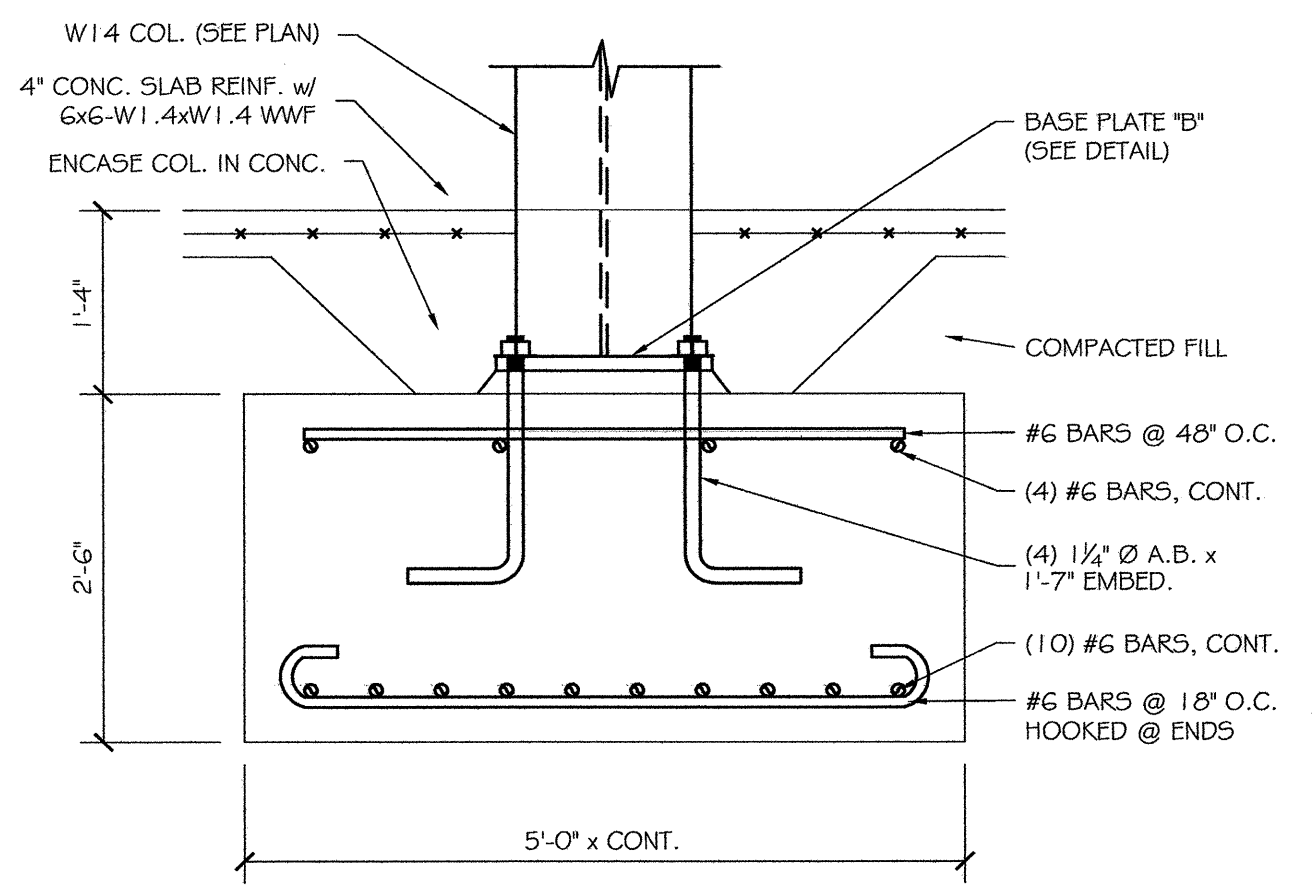


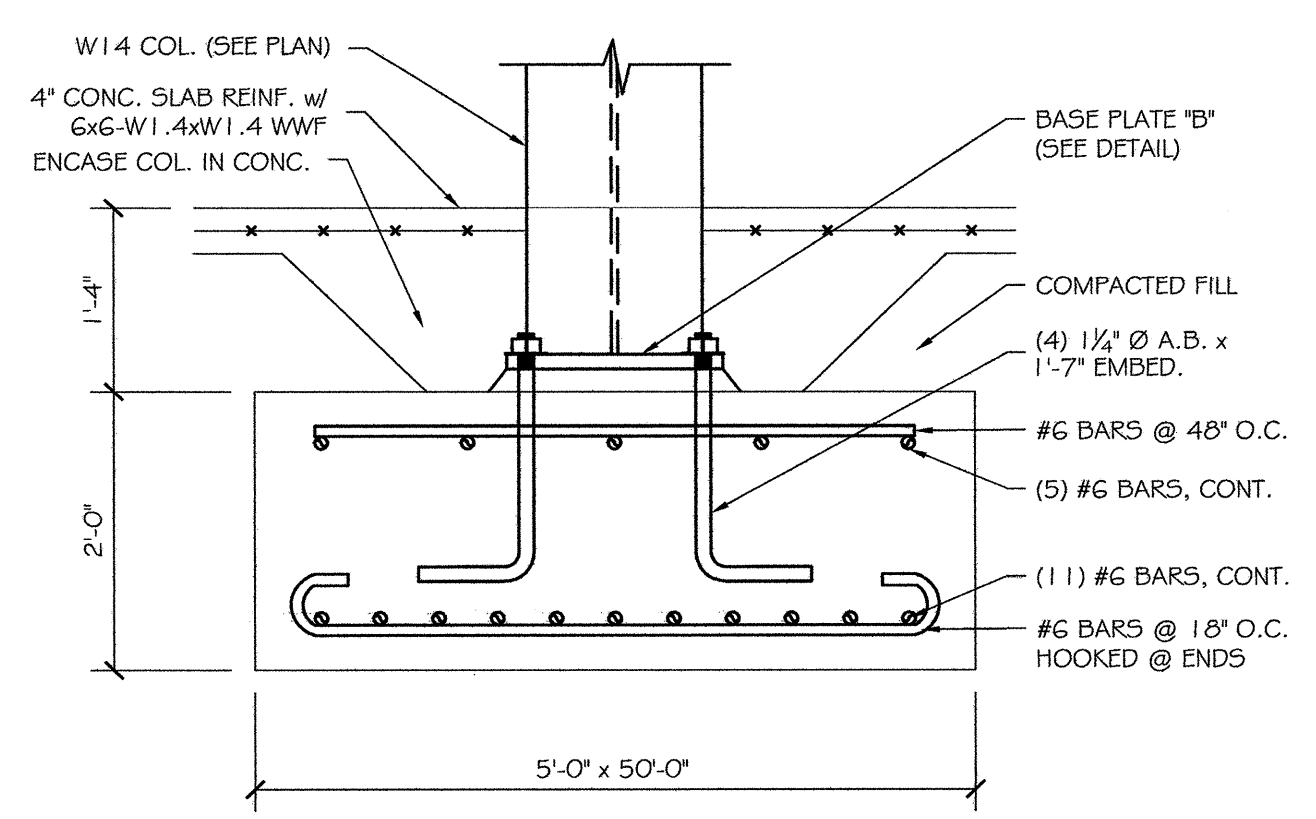
TYPE I FOOTING DETAIL
SCALE: 3/4" = 1'-0"



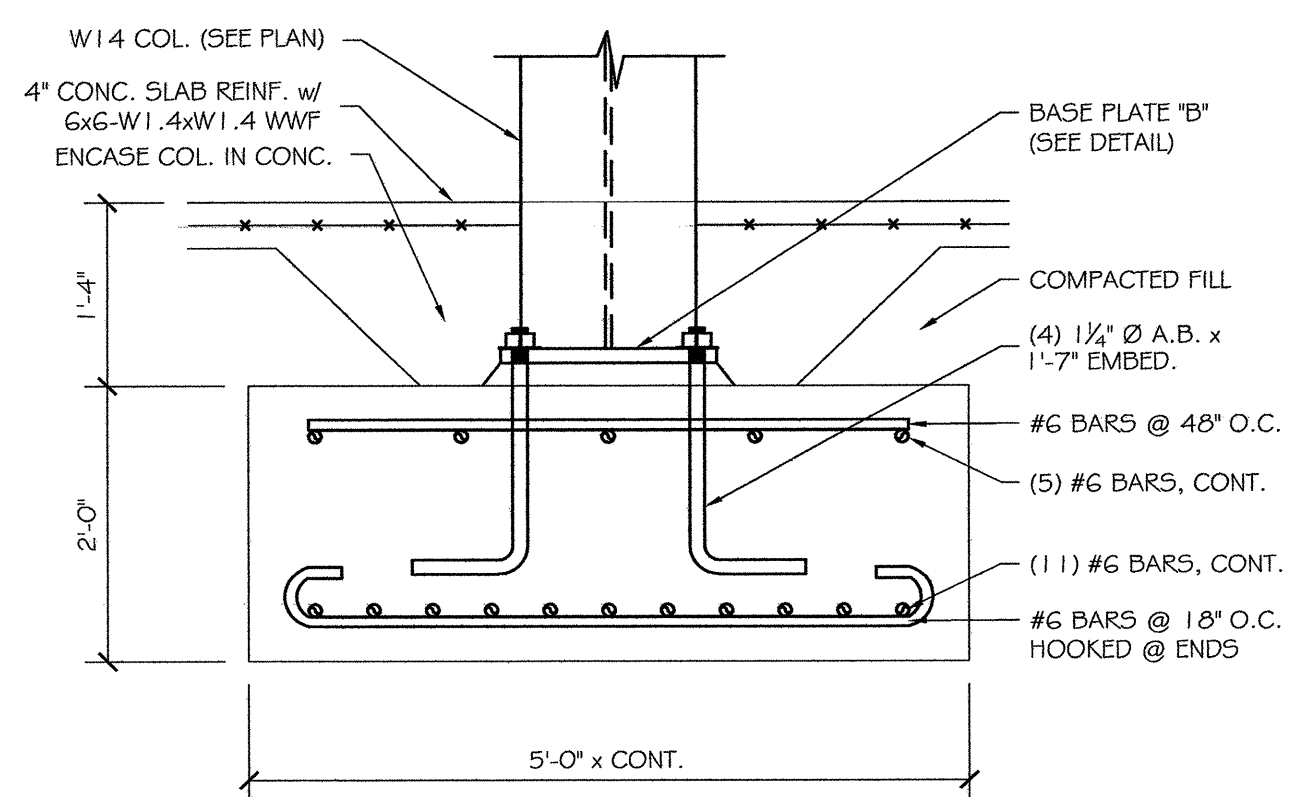
TYPE (IA) FOOTING DETAIL
SCALE: 3/4" = 1'-0"



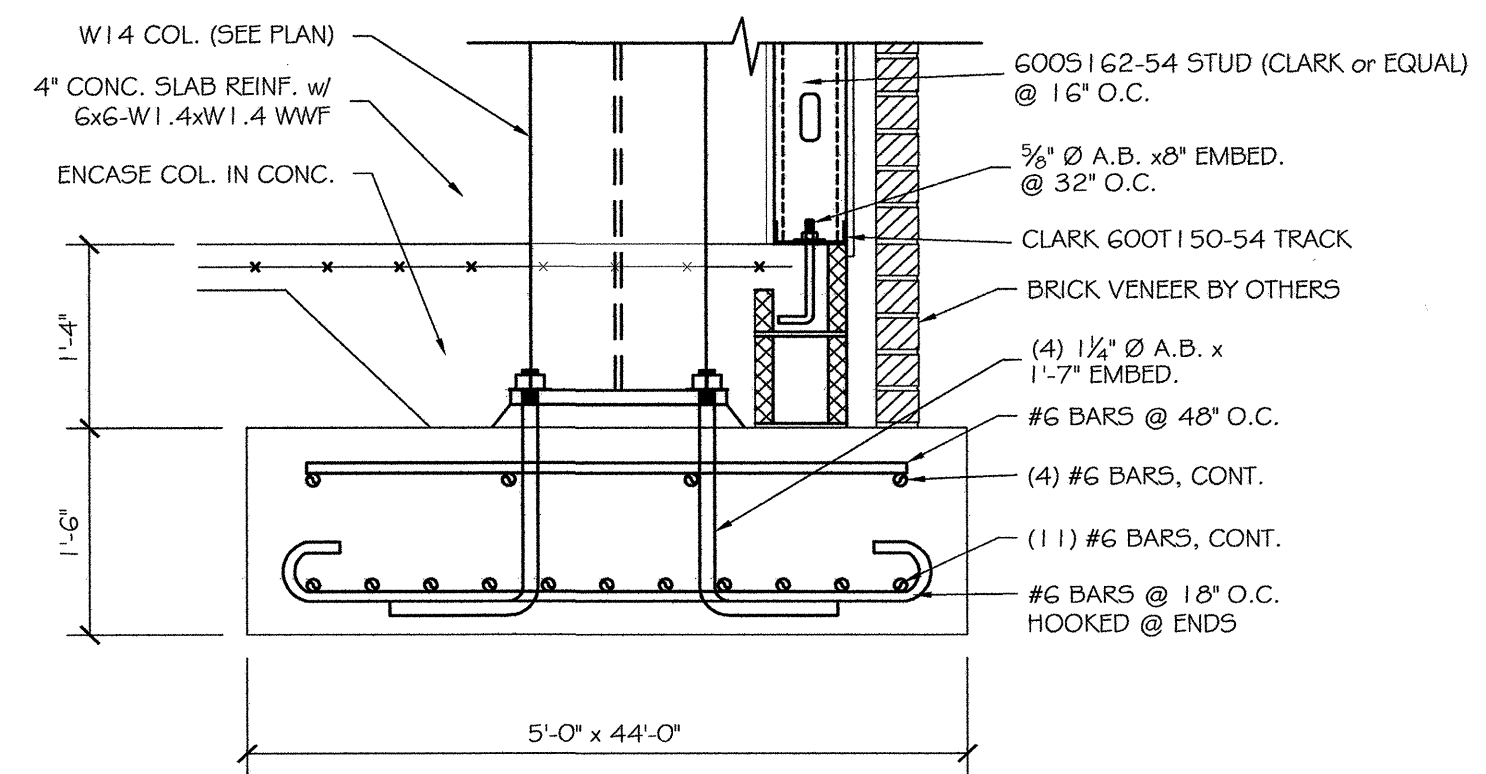
TYPE II FOOTING DETAIL
SCALE: 3/4" = 1'-0"



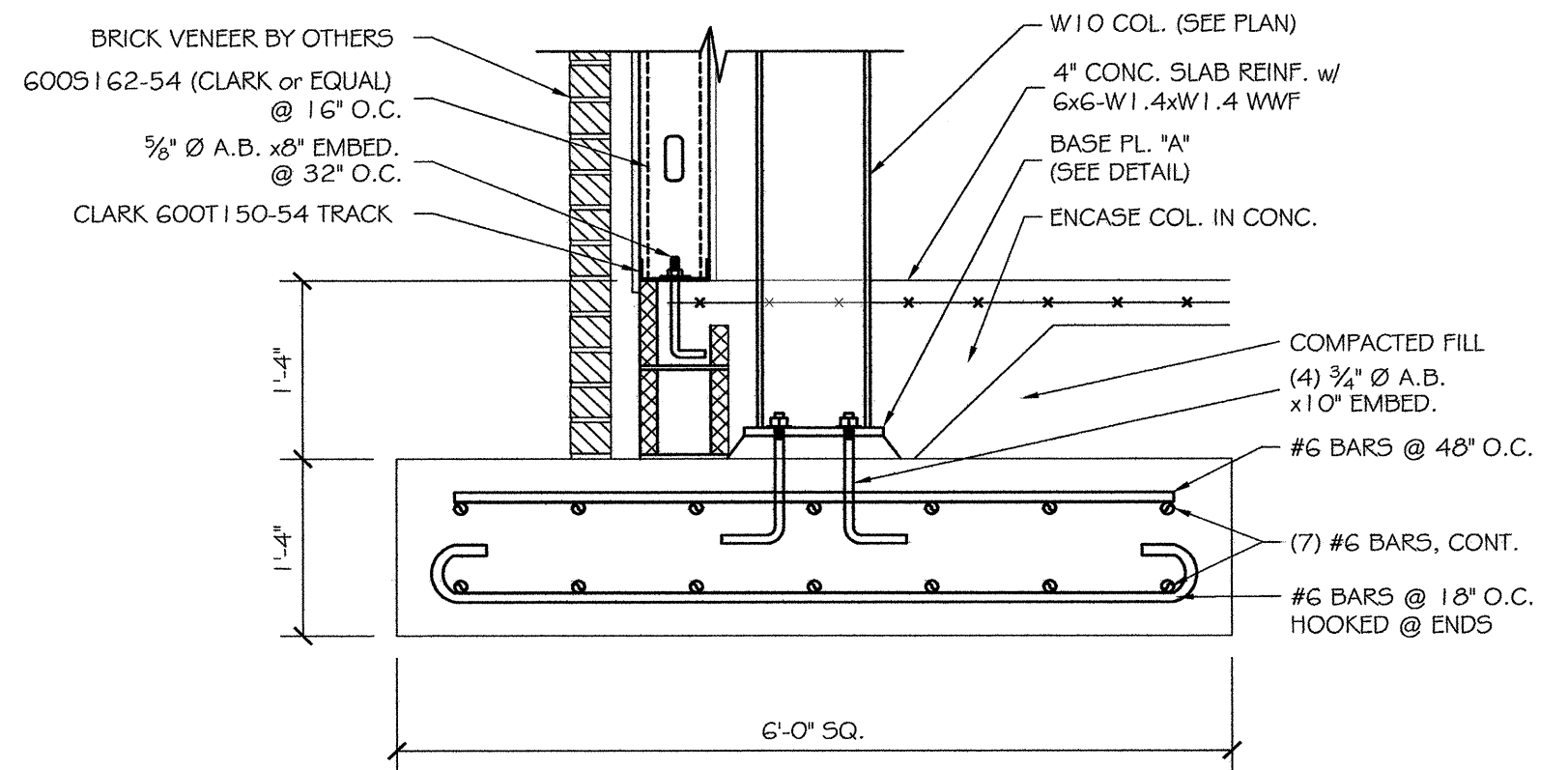
TYPE III FOOTING DETAIL
SCALE: 3/4" = 1'-0"



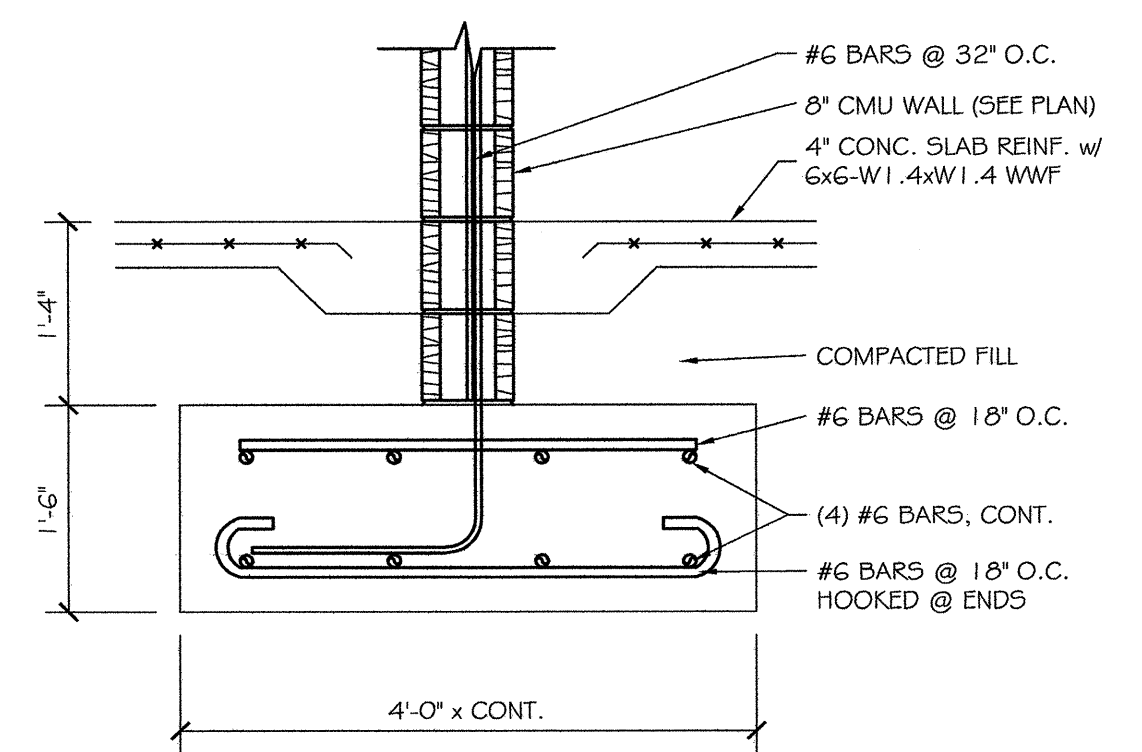
TYPE IV FOOTING DETAIL
SCALE: 3/4" = 1'-0"



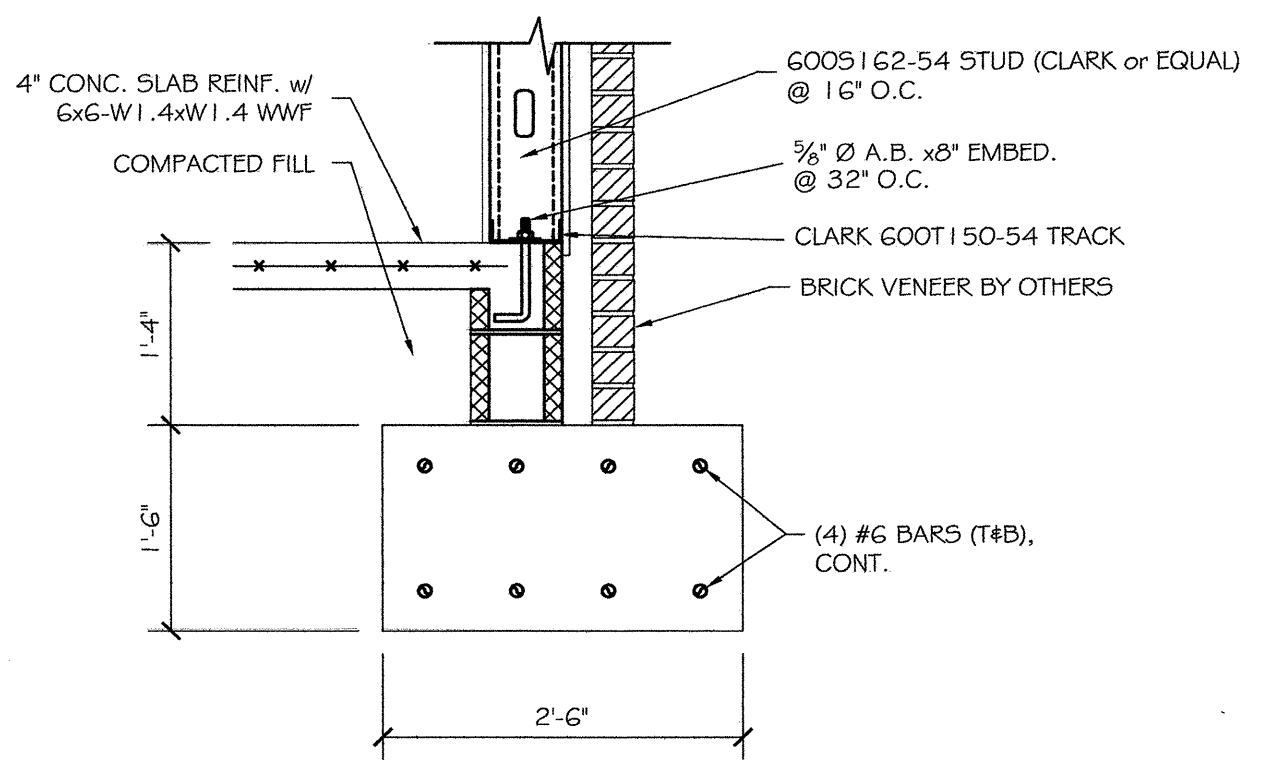
TYPE V FOOTING DETAIL
SCALE: 3/4" = 1'-0"



TYPE VI FOOTING DETAIL
SCALE: 3/4" = 1'-0"

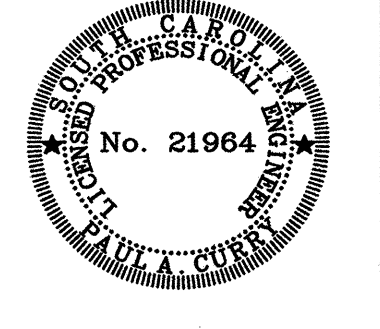
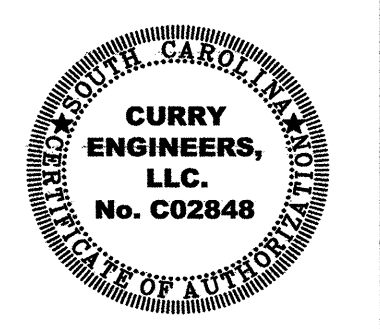
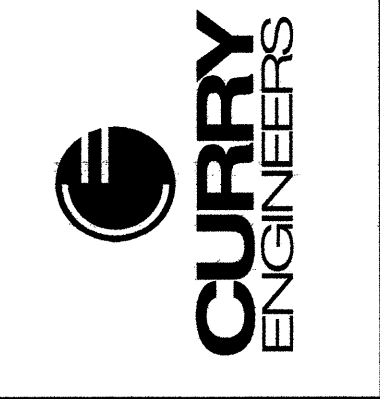


TYPE VII FOOTING DETAIL
SCALE: 3/4" = 1'-0"



TIE BEAM FOOTING DETAIL
SCALE: 3/4" = 1'-0"

CURRY ENGINEERS, L.L.C.
STRUCTURAL ENGINEERING
ROOFING CONSULTANTS
843-849-9755
401 S. Carolina Parkway
Mt. Pleasant, SC 29504
WWW.CURRYENGINEERING.COM



**OFFICES AT BELLE HALL
BUILDING ONE
MT. PLEASANT, S.C.**

REVISIONS:

Δ	CONST. SET	04.25.06	PAC
Δ			
Δ			

LEGAL NOTICE
DRAWINGS AND SPECIFICATIONS AS INSTRUMENTS OF SERVICE ARE THE PROPERTY OF THE ENGINEER. WHETHER THE WORK FOR WHICH THEY ARE MADE BE EXECUTED OR NOT, AND ARE NOT TO BE USED ON OTHER WORK EXCEPT BY AGREEMENT WITH THE ENGINEER.

FOUNDATION DETAILS

DRAWN BY: J. BOYD
DESIGNED BY: P. CURRY
CHECKED BY: P. CURRY
DATE: 01.06.06
SCALE: AS NOTED
JOB NO.: 25134
SHEET:

S-2.2

CONSTRUCTION SET ONLY