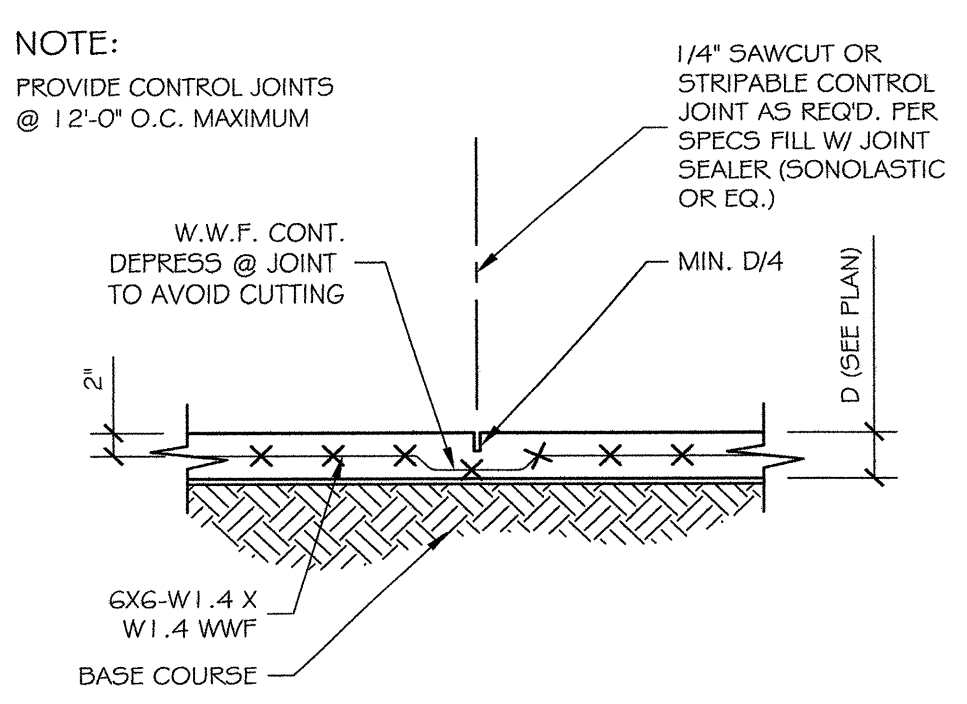
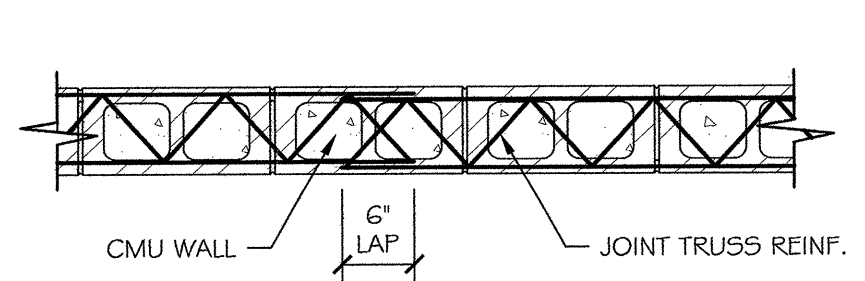


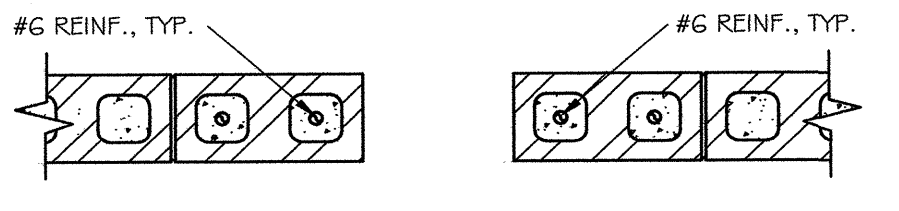
FOOTING DETAILS
SCALE: N.T.S.



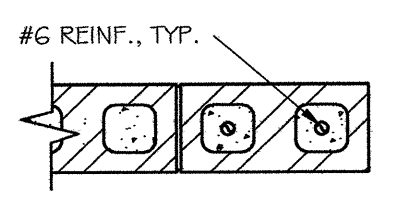
TYP. CNTRL JNT. @ SLAB ON GRADE
SCALE: 3/4" = 1'-0"



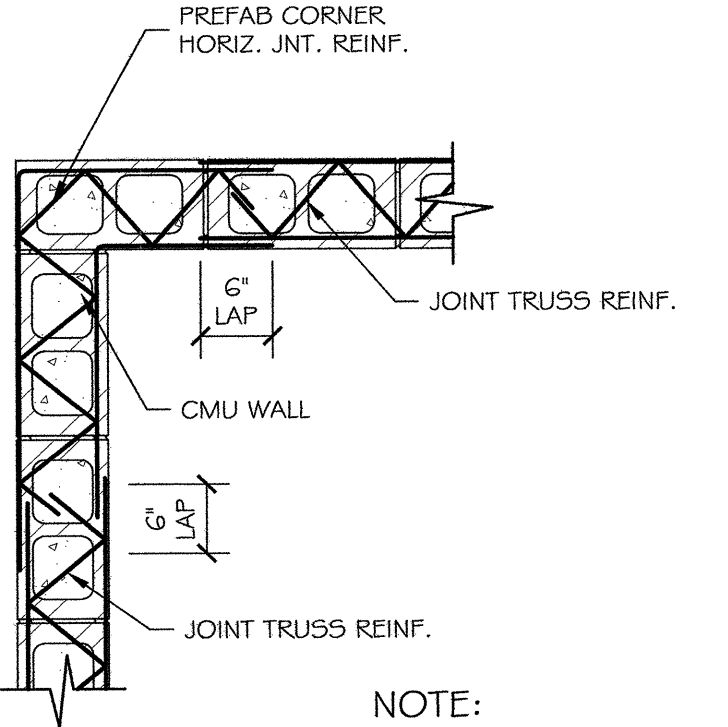
TYP. LAP SPLICES @ JNT. REINF. DETAIL
SCALE: 3/4" = 1'-0"



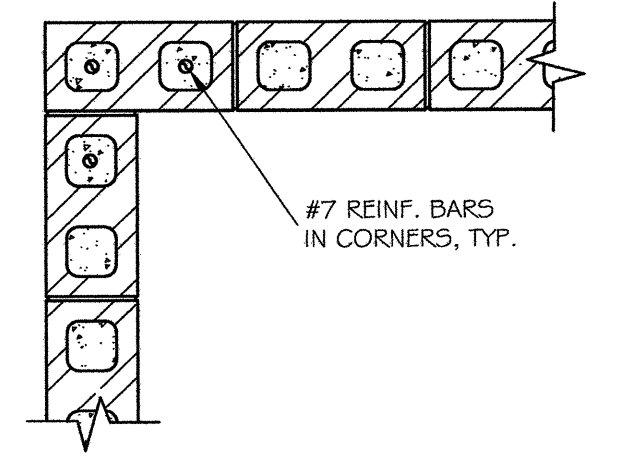
TYP. CMU WALL REINF @ OPENING
SCALE: 3/4" = 1'-0"



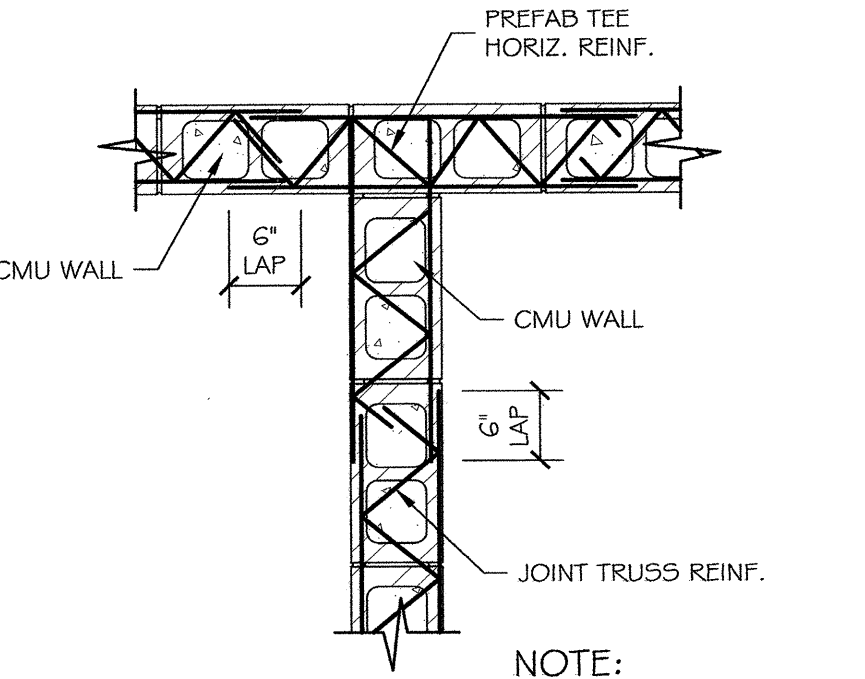
TYP. CMU WALL REINF @ END WALL
SCALE: 3/4" = 1'-0"



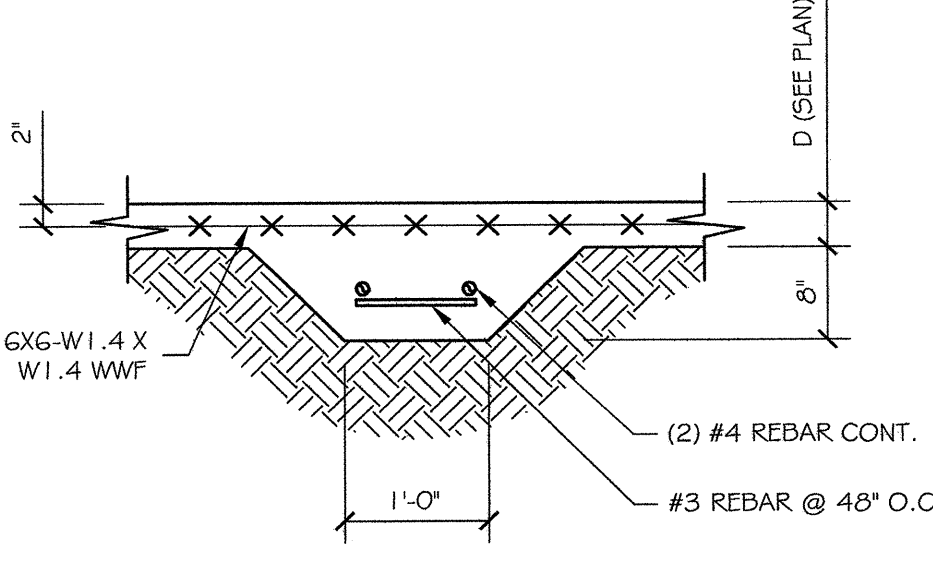
TYP. JNT. REINF. SPLICES @ CORNER
SCALE: 3/4" = 1'-0"



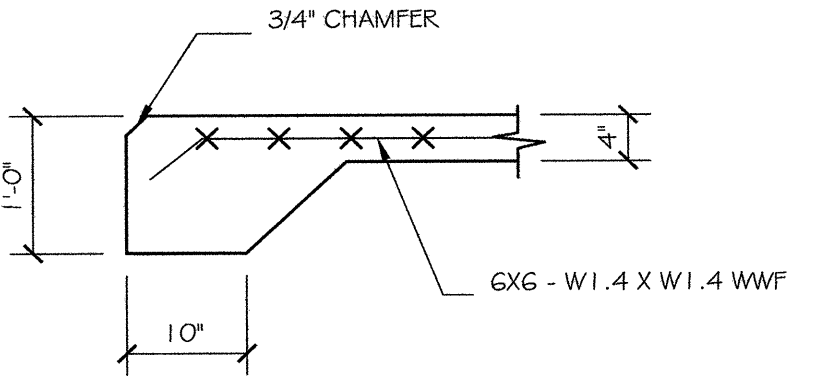
TYP. CMU WALL REINF @ CORNER
SCALE: 3/4" = 1'-0"



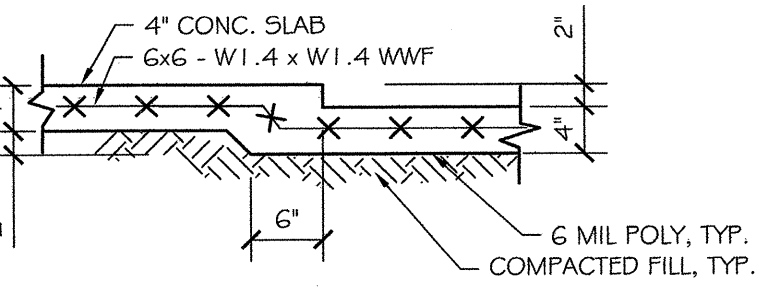
TYP. JNT. REINF. SPLICES @ INTERSECTION
SCALE: 3/4" = 1'-0"



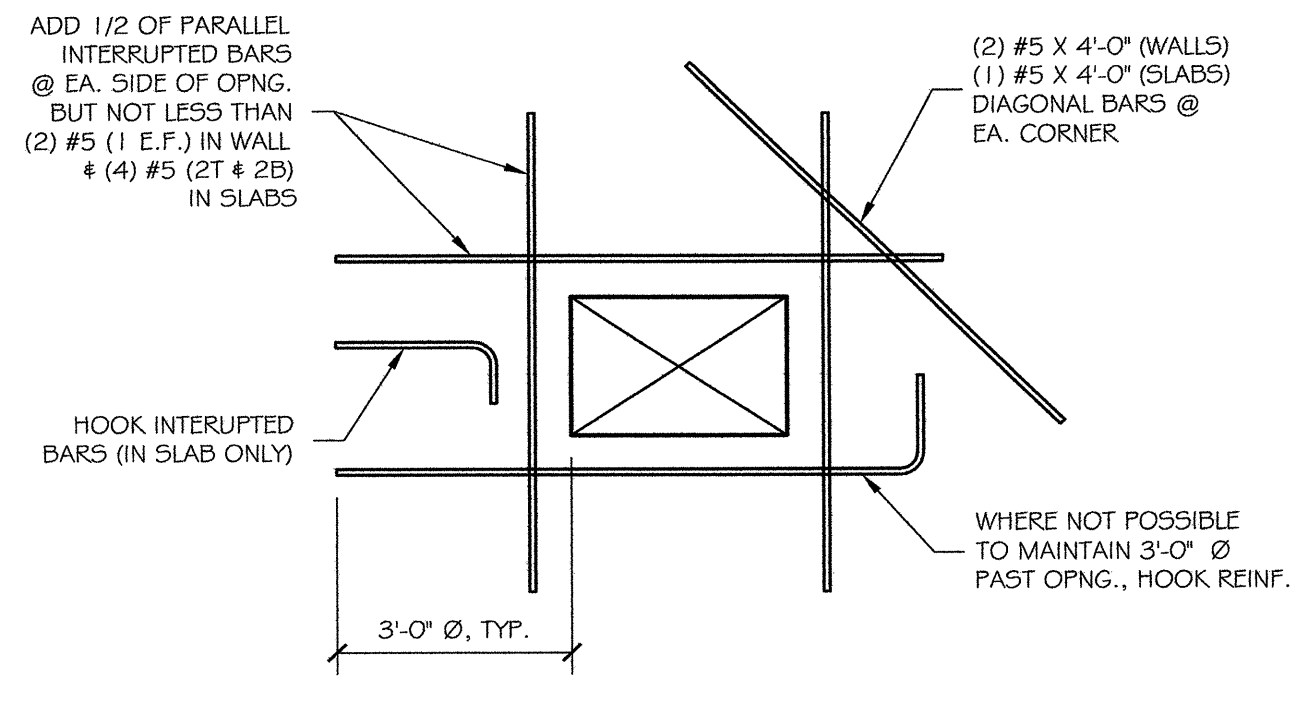
TYP. THICKENED SLAB @ SLAB ON GRADE
SCALE: 3/4" = 1'-0"



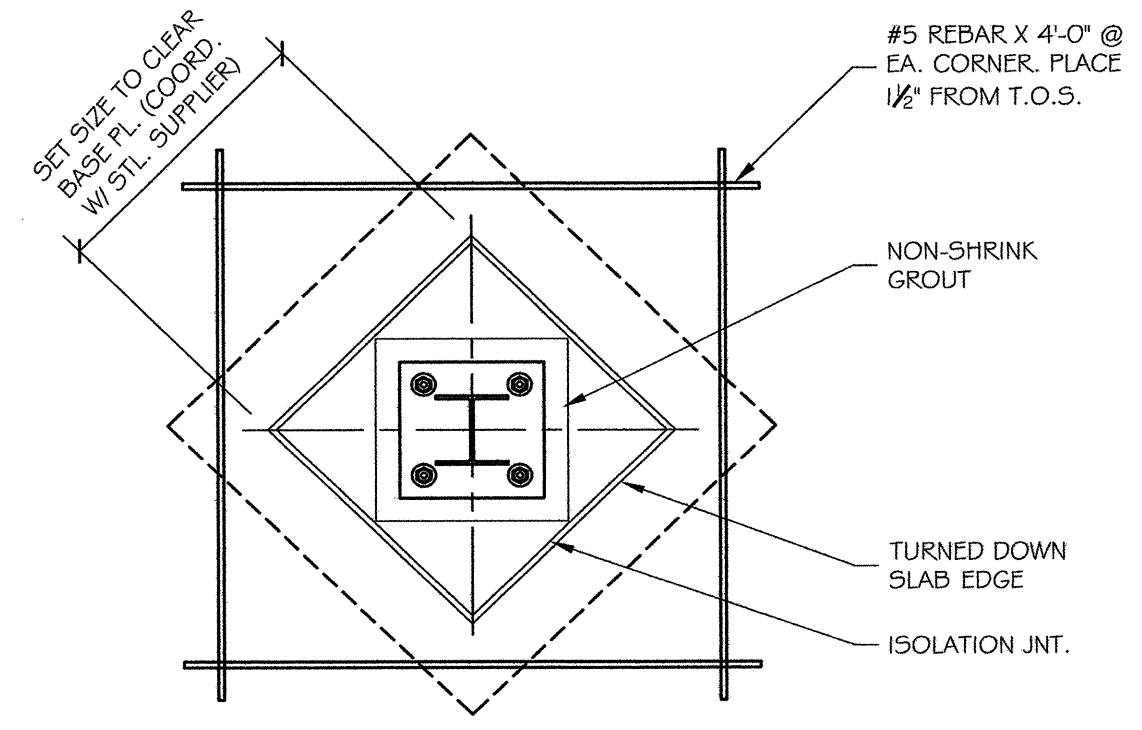
SLAB EDGE DETAIL
SCALE: 3/4" = 1'-0"



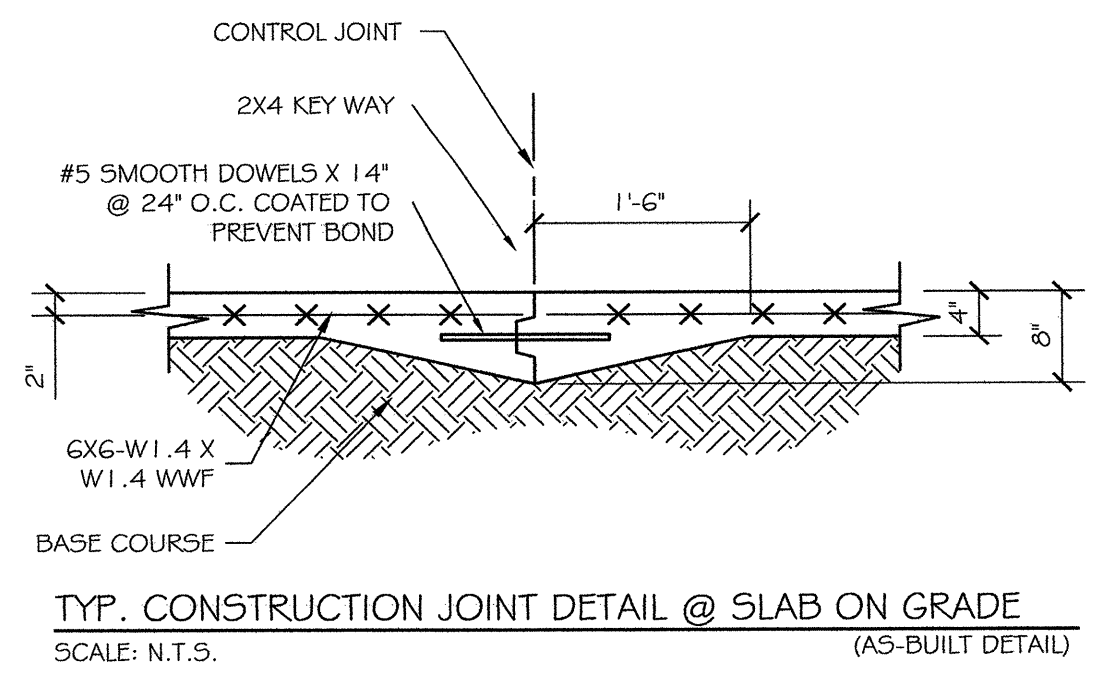
TYP. DROP SLAB DETAIL
SCALE: 3/4" = 1'-0"



TYP. REINF. @ OPENINGS IN SLABS & WALLS
SCALE: N.T.S.



TYP. COL. ISOLATION JNT. @ SLAB ON GRADE
SCALE: N.T.S.



CURRY ENGINEERS, LLC.
STRUCTURAL ENGINEERING
ROOFING CONSULTANTS

843 - 848 - 8785
401 Seacoast Parkway
Mt. Pleasant, SC 29464
WWW.CURRYENGINEERING.COM

CURRY ENGINEERS

**OFFICES AT BELLE HALL
BUILDING ONE
MT. PLEASANT, S.C.**

REVISIONS:

△	CONST. SET	04.25.06	PAC
△			
△			
△			

LEGAL NOTICE
DRAWINGS AND SPECIFICATIONS AS INSTRUMENTS OF SERVICE ARE THE PROPERTY OF THE ENGINEER WHETHER THE WORK FOR WHICH THEY ARE MADE BE EXECUTED OR NOT, AND ARE NOT TO BE USED ON OTHER WORK EXCEPT BY AGREEMENT WITH THE ENGINEER.

FOUNDATION DETAILS

DRAWN BY:	J. BOYD
DESIGNED BY:	P. CURRY
CHECKED BY:	P. CURRY
DATE:	01.06.06
SCALE:	AS NOTED
JOB NO.:	25134
SHEET:	S-2.1

CONSTRUCTION SET ONLY