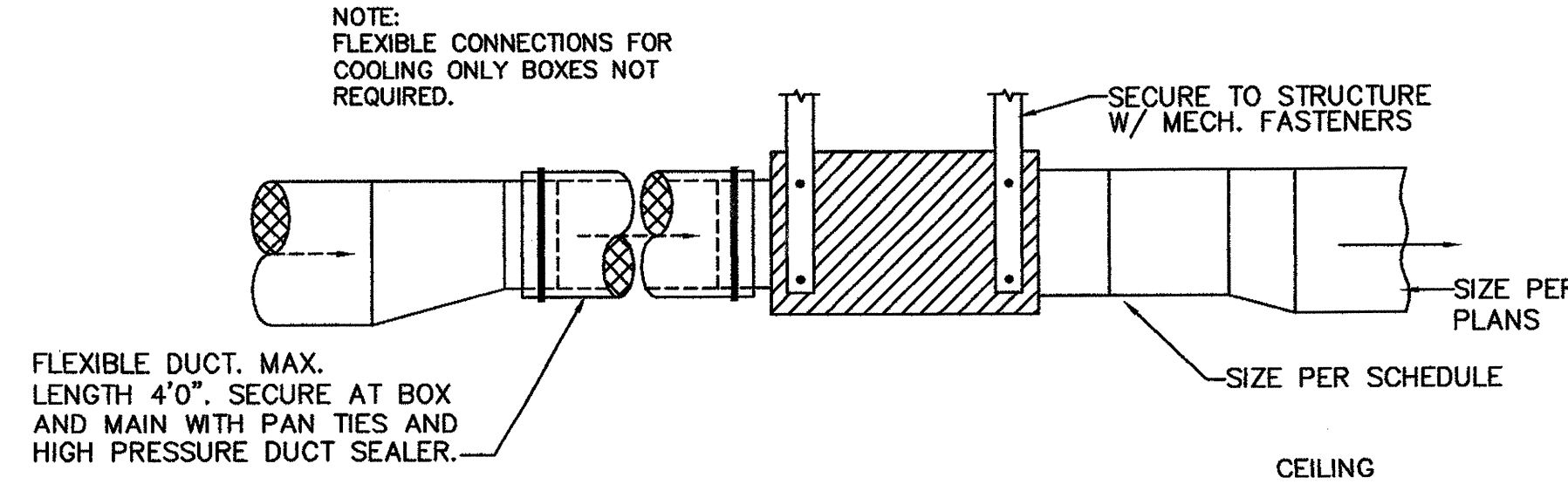


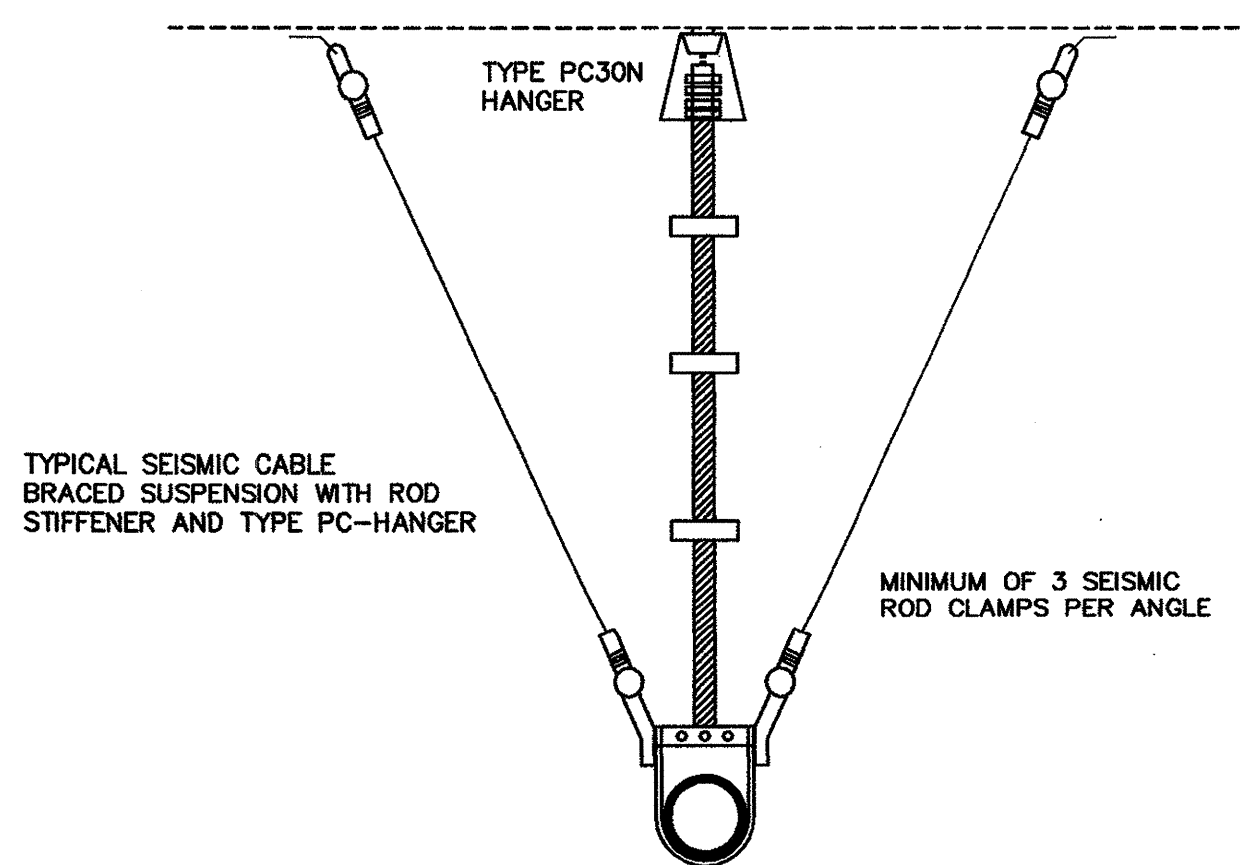
ACOUSTICAL TREATMENT FOR AHU SECTION:  
THREE LAYERS OF 1/2" SHEETROCK,  
ONE LAYER OF 3/4" DUCTBOARD,  
ONE LAYER OF 3/4" PLYWOOD AND  
TWO LAYER OF 3/8" SHEETROCK.  
(FROM TOP TO BOTTOM).

NOTE:  
INSTALL SMOKE DETECTORS  
IN SUPPLY DUCTWORK AND  
R.A. CHASE AS PROVIDED  
BY ELECTRICAL  
CONTRACTOR.

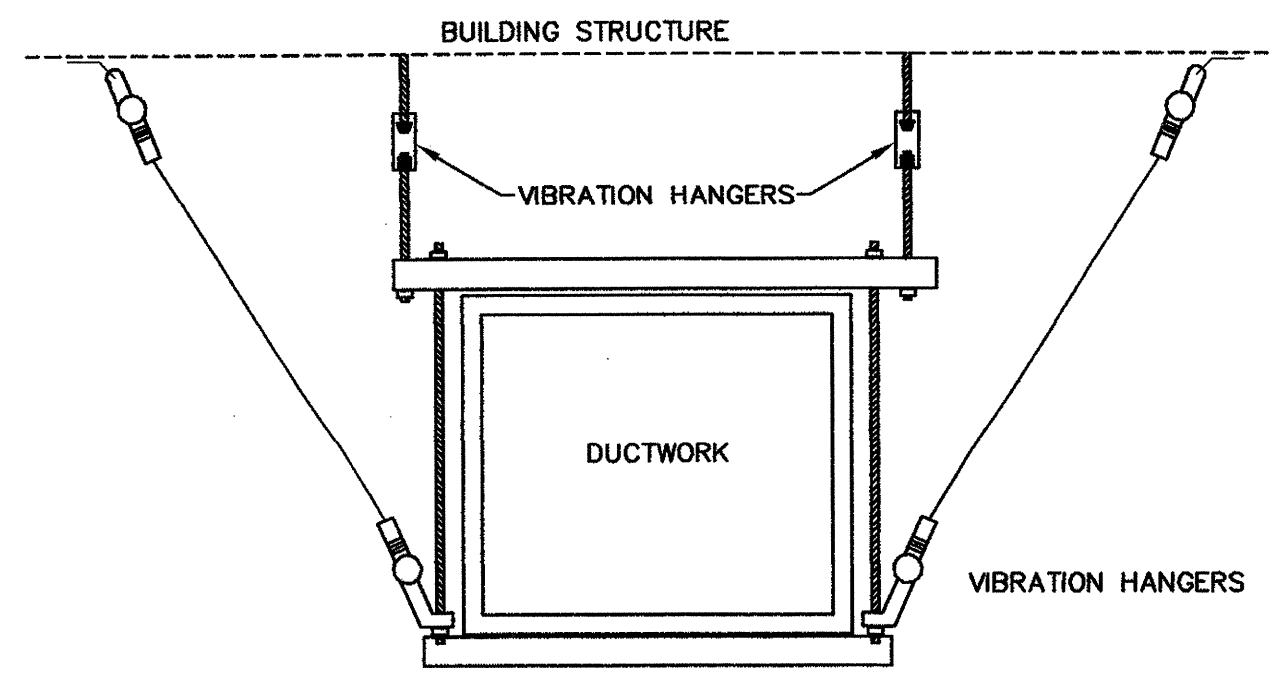
**RTU-1 SCHEMATIC**  
NO SCALE



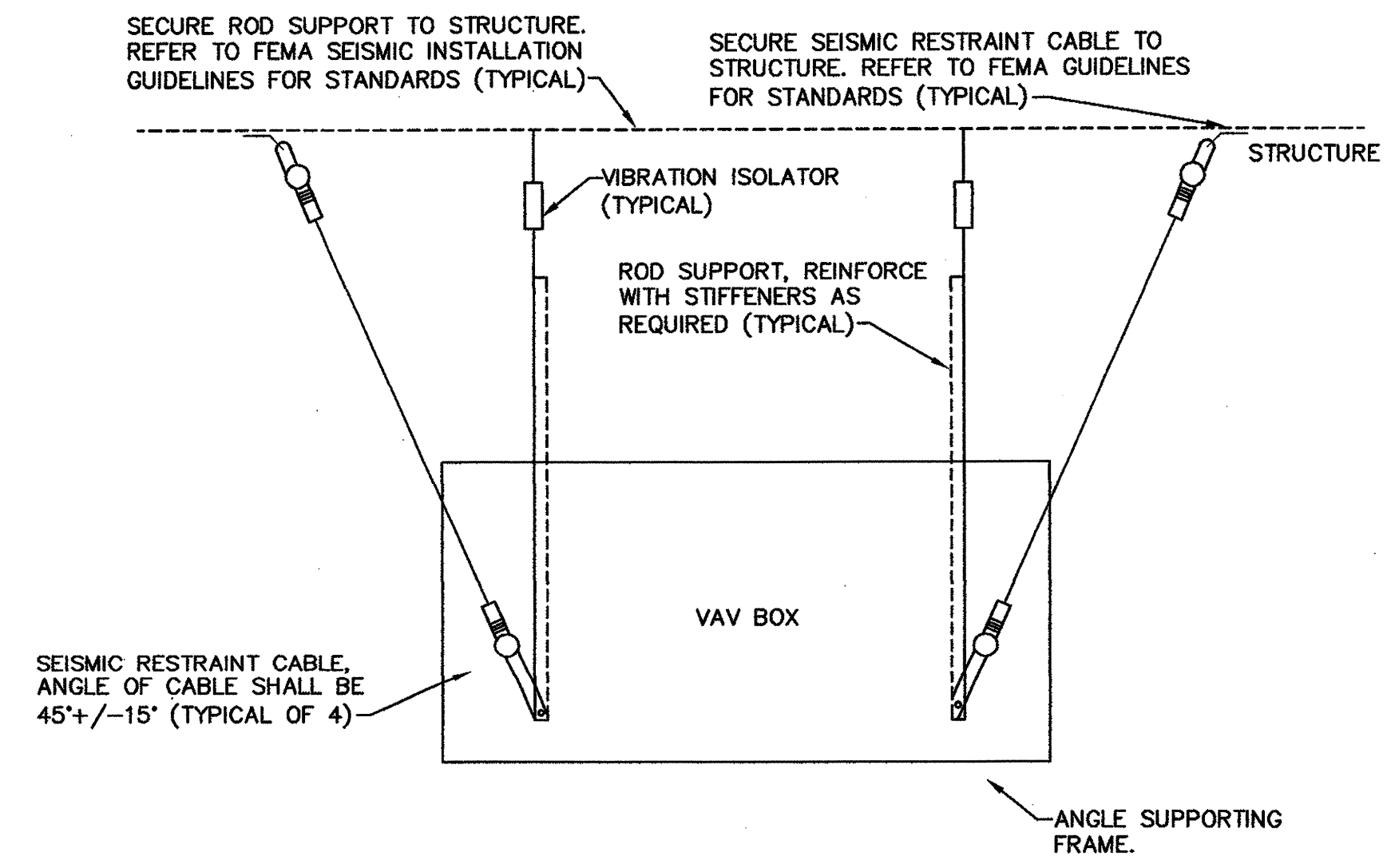
**TYPICAL VAV BOX DETAIL**  
NO SCALE



**SUSPENDED PIPE SEISMIC SCHEMATIC**  
NO SCALE



**SUSPENDED DUCTWORK SEISMIC SCHEMATIC**  
NO SCALE



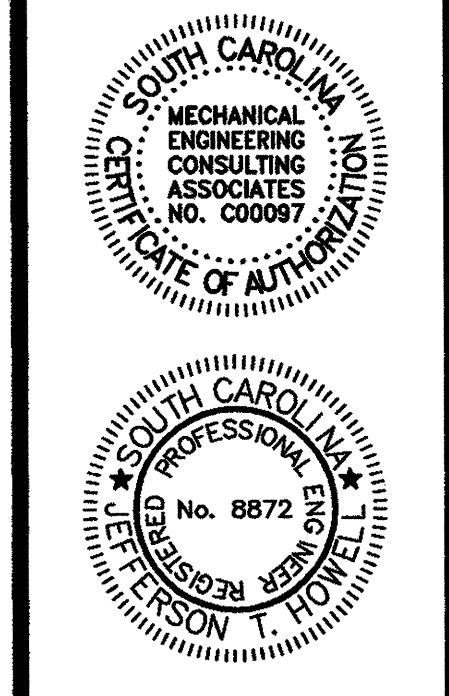
**SUSPENDED FAN/VAV BOX SEISMIC SCHEMATIC**  
NO SCALE

REVISIONS		
No.	Date	Description

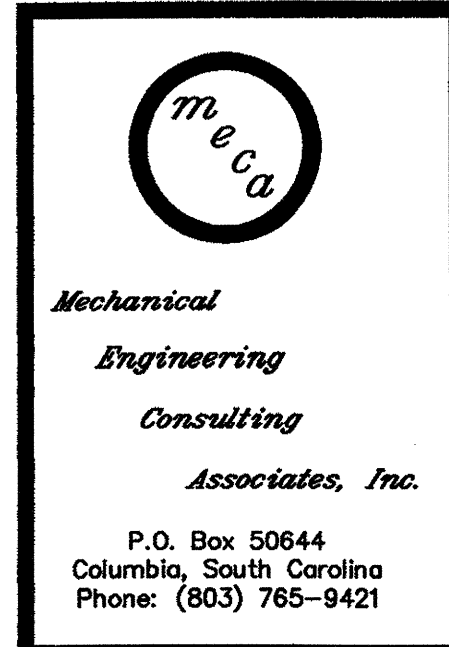


Job Number : 105261  
Designed : 11/11/05  
Plot Date : 01/09/06  
Drawn : ASK  
Approved By : JTH

THIS DRAWING IS THE  
PROPERTY OF MECHANICAL  
ENGINEERING CONSULTING  
ASSOCIATES, INC.  
UNAUTHORIZED USE OF ANY  
KIND, INCLUDING USE ON  
OTHER PROJECTS IS  
PROHIBITED.



Project: **OFFICES AT BELLE HALL  
BUILDING TWO  
MOUNT PLEASANT, SC**  
Sheet Title: **MECHANICAL DETAILS**



Sheet No. **M301**  
of 7  
Project No. **105261**

PERMIT SET