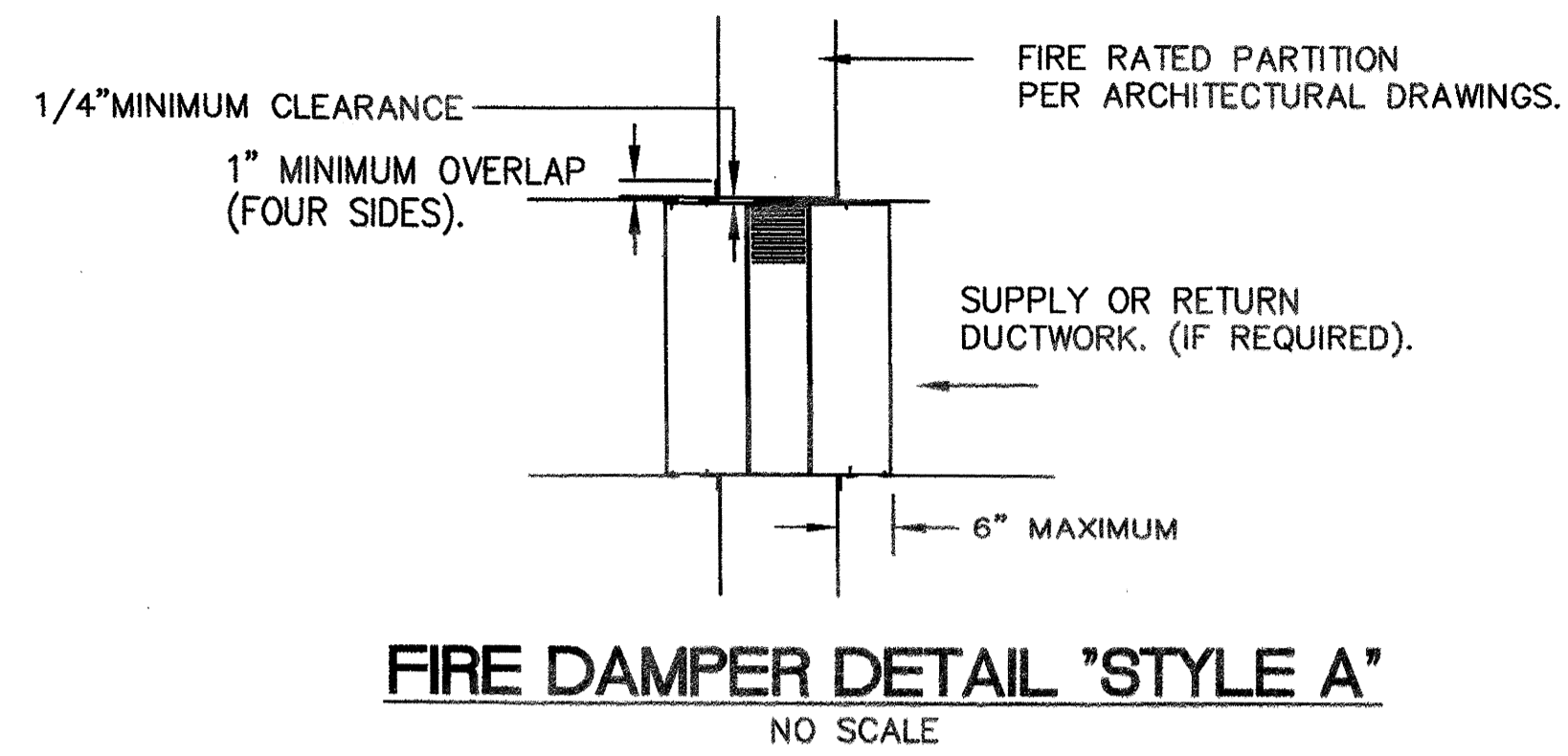
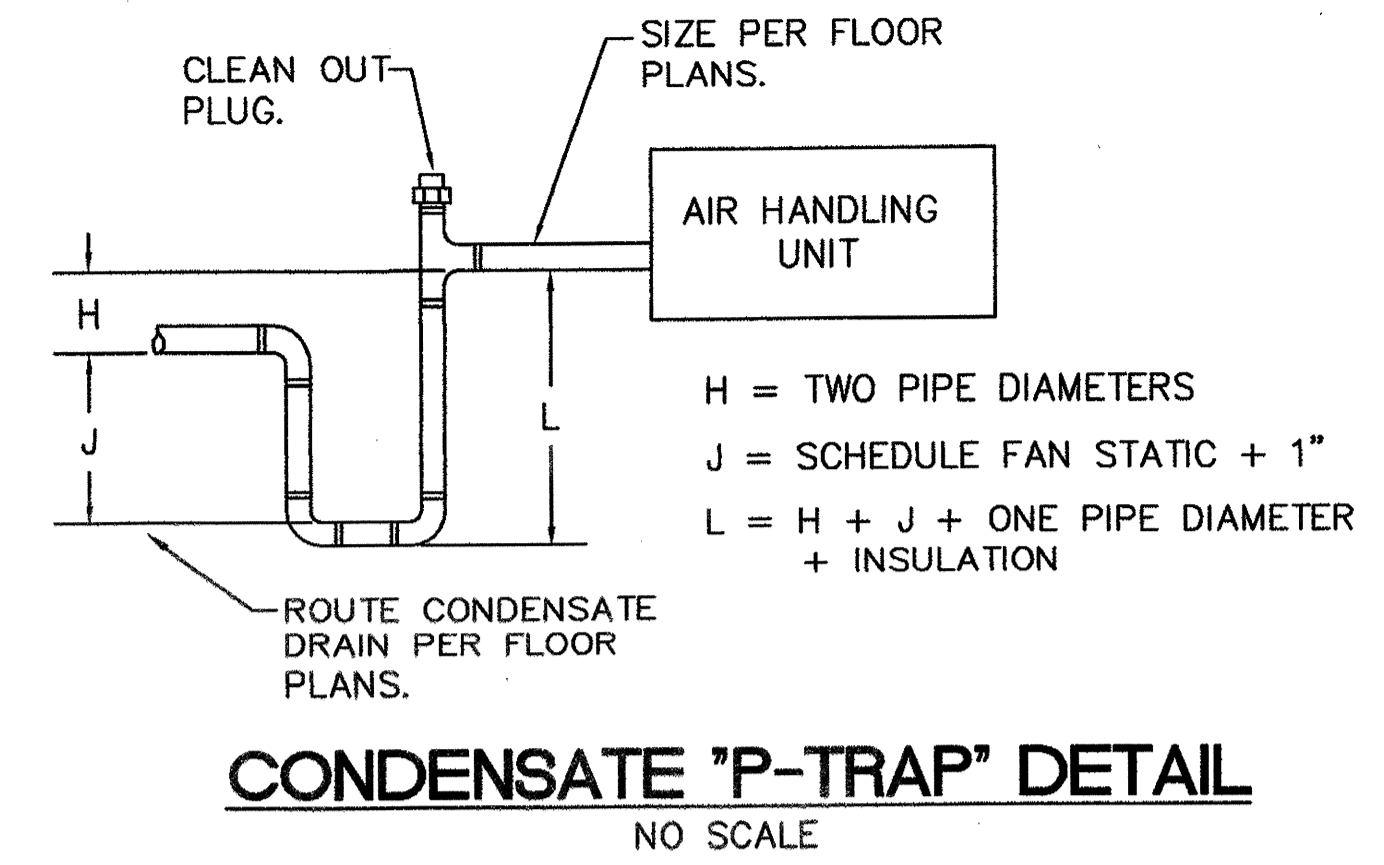
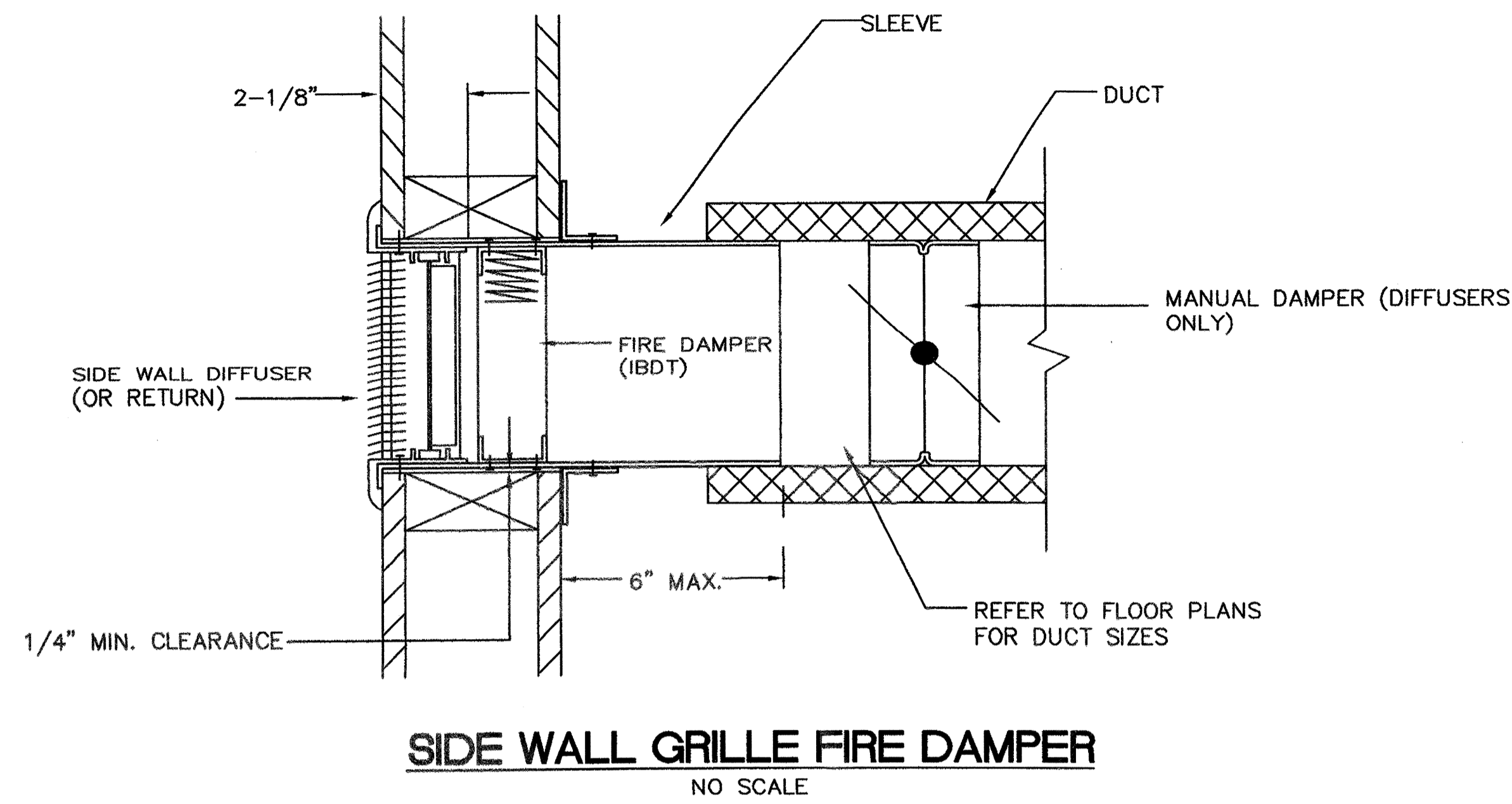


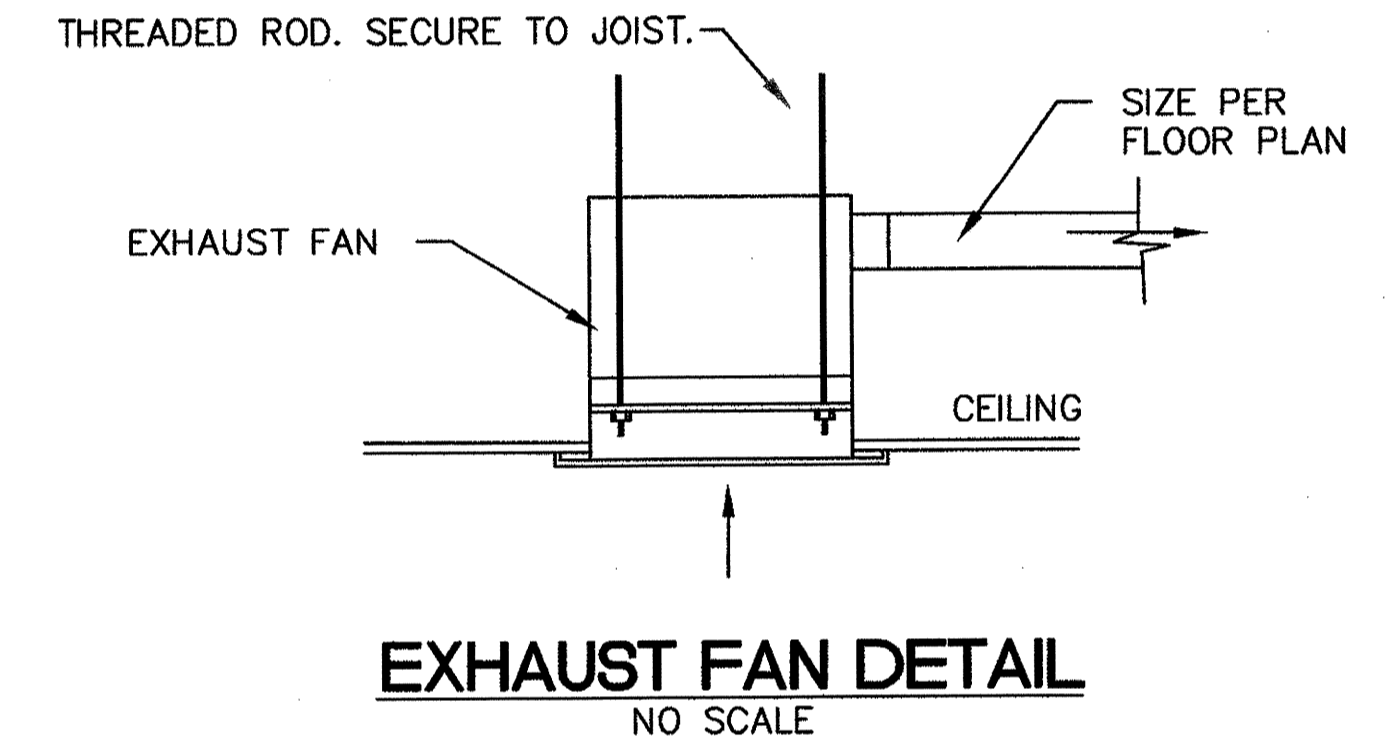
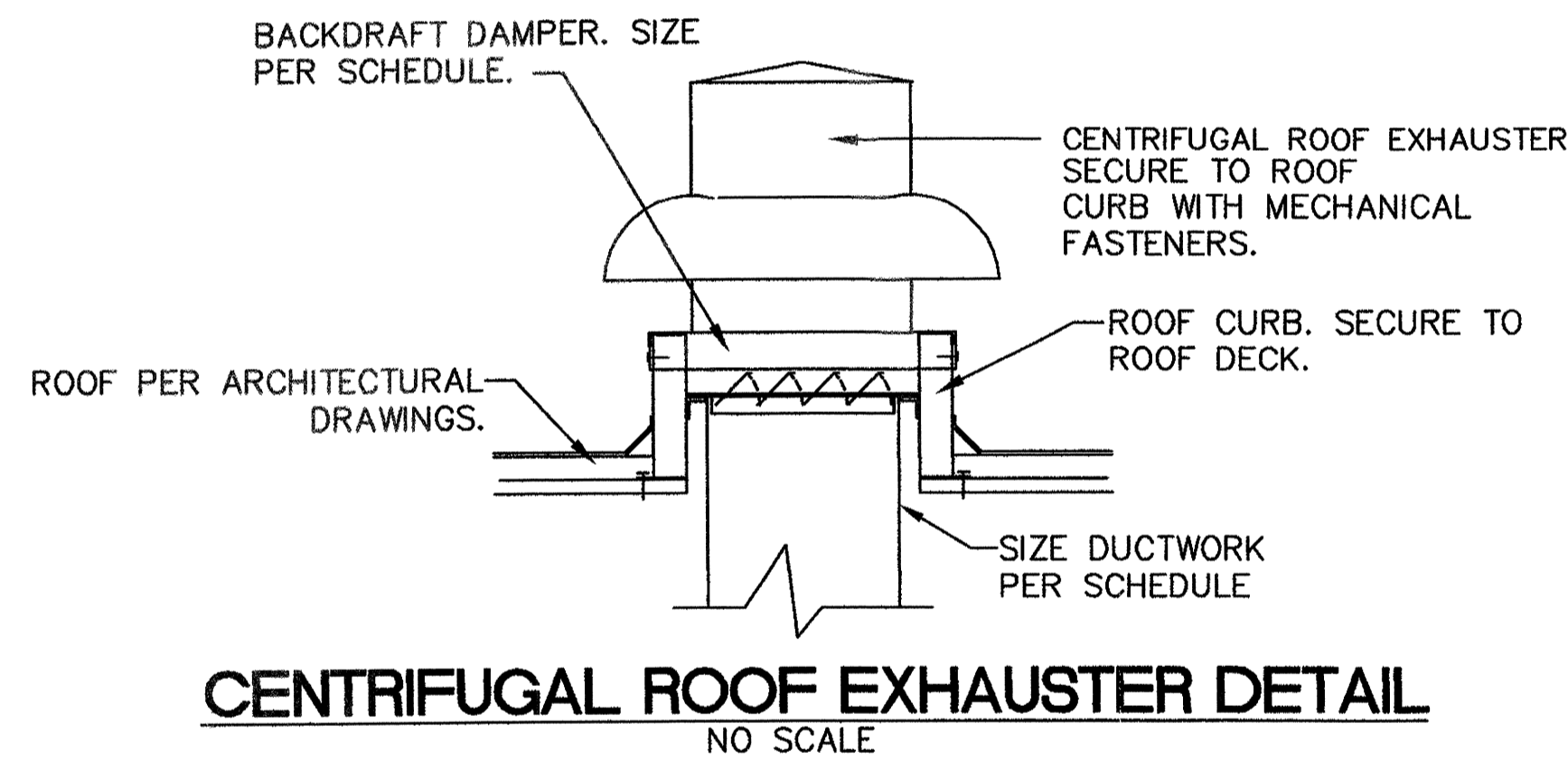
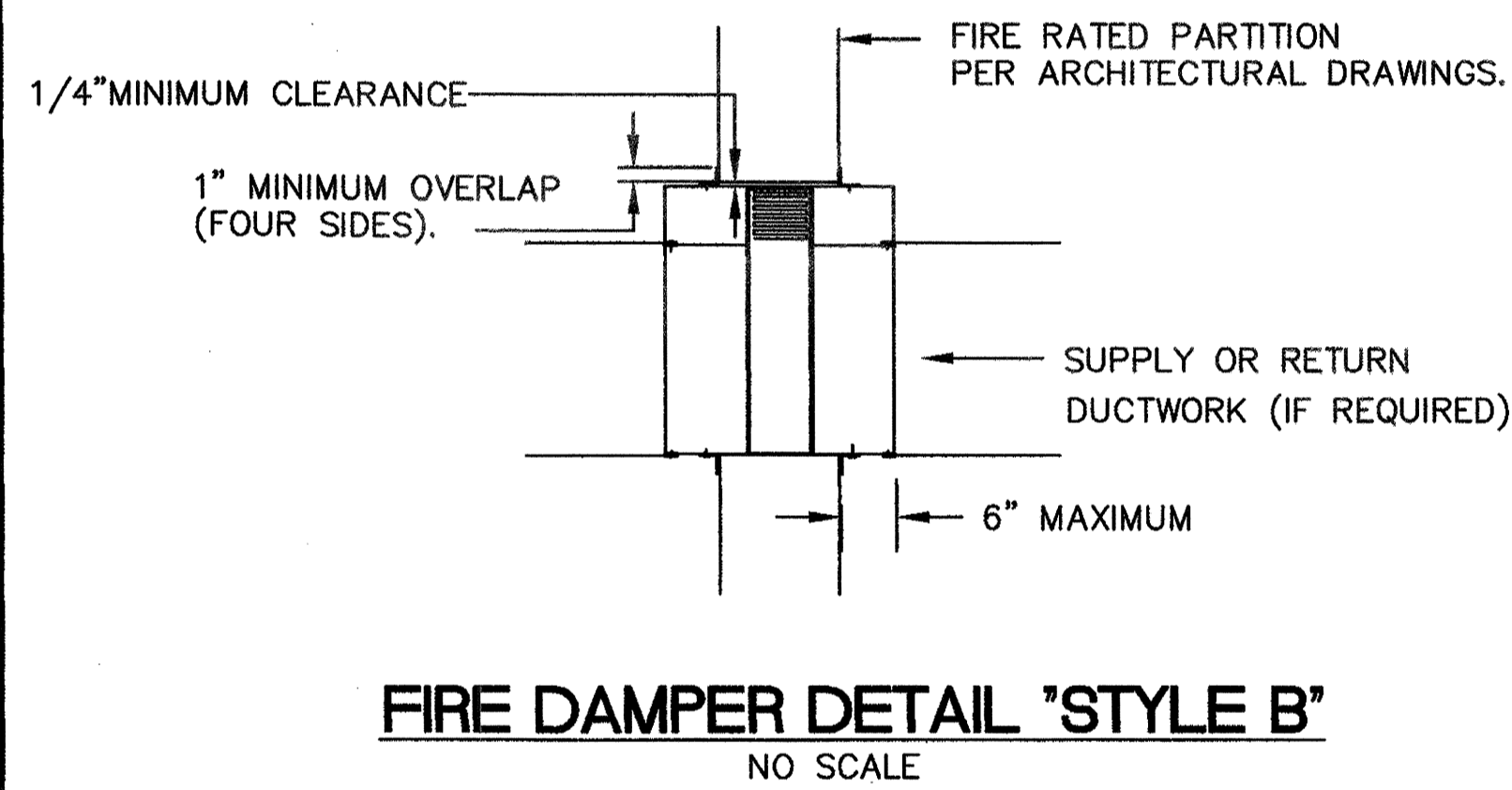
NOTE:
REFER TO MANUFACTURERS INSTALLATION INSTRUCTIONS AND INSTALL ALL DEVICES IN STRICT COMPLIANCE WITH THOSE INSTRUCTIONS. CONTRACTOR TO MAINTAIN A COPY OF THE INSTALLATION INSTRUCTIONS ON THE JOB SITE AT ALL TIMES FOR REFERENCE.



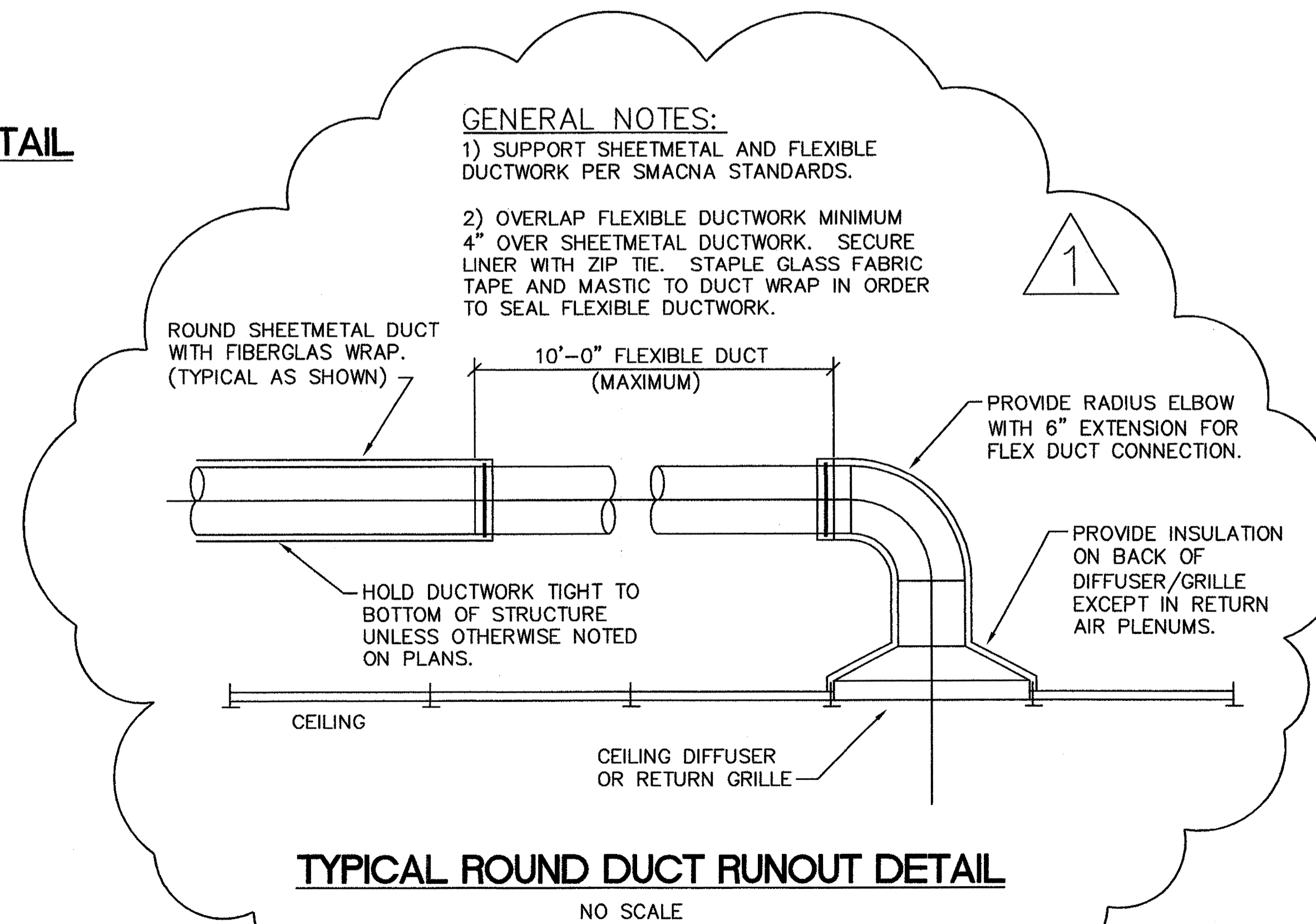
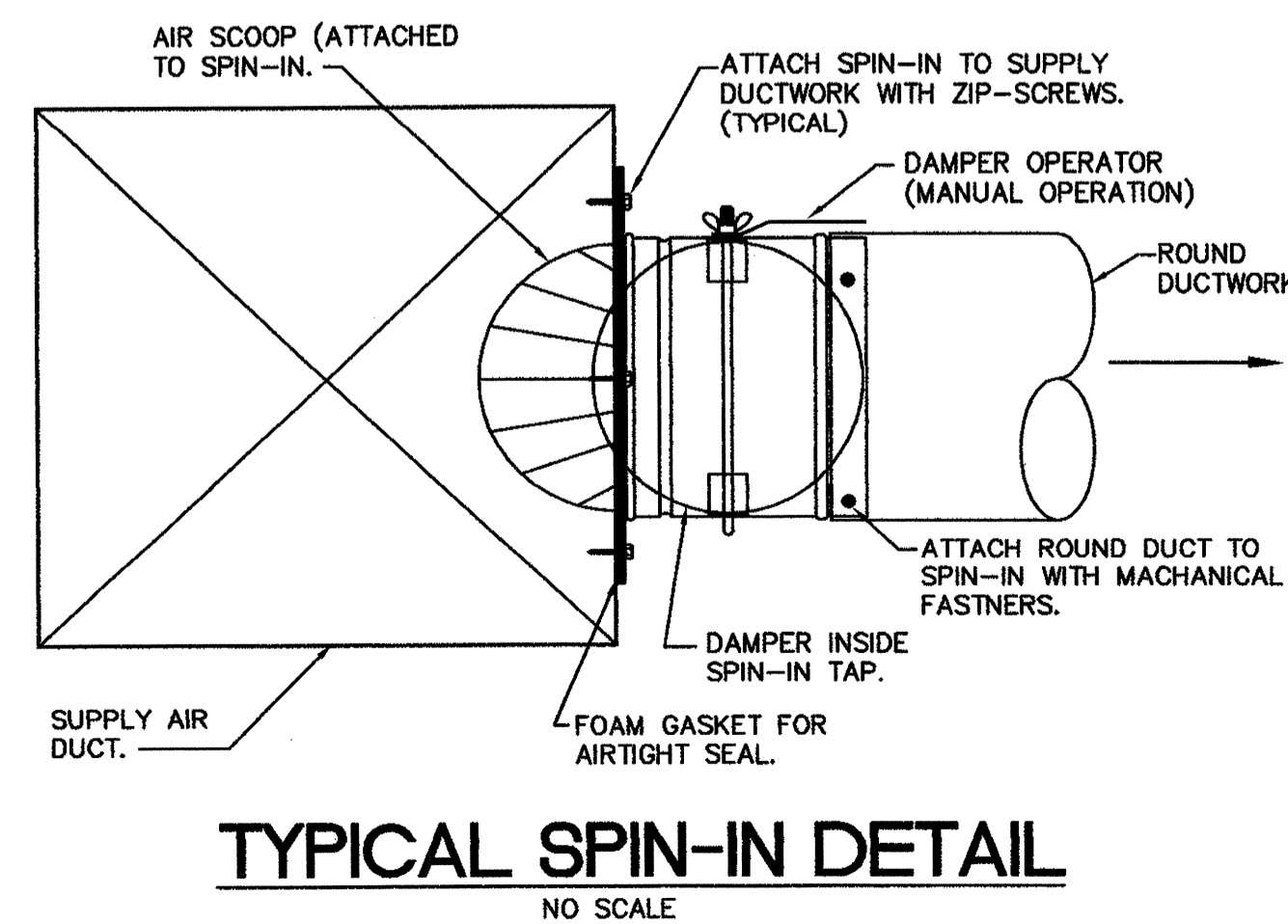
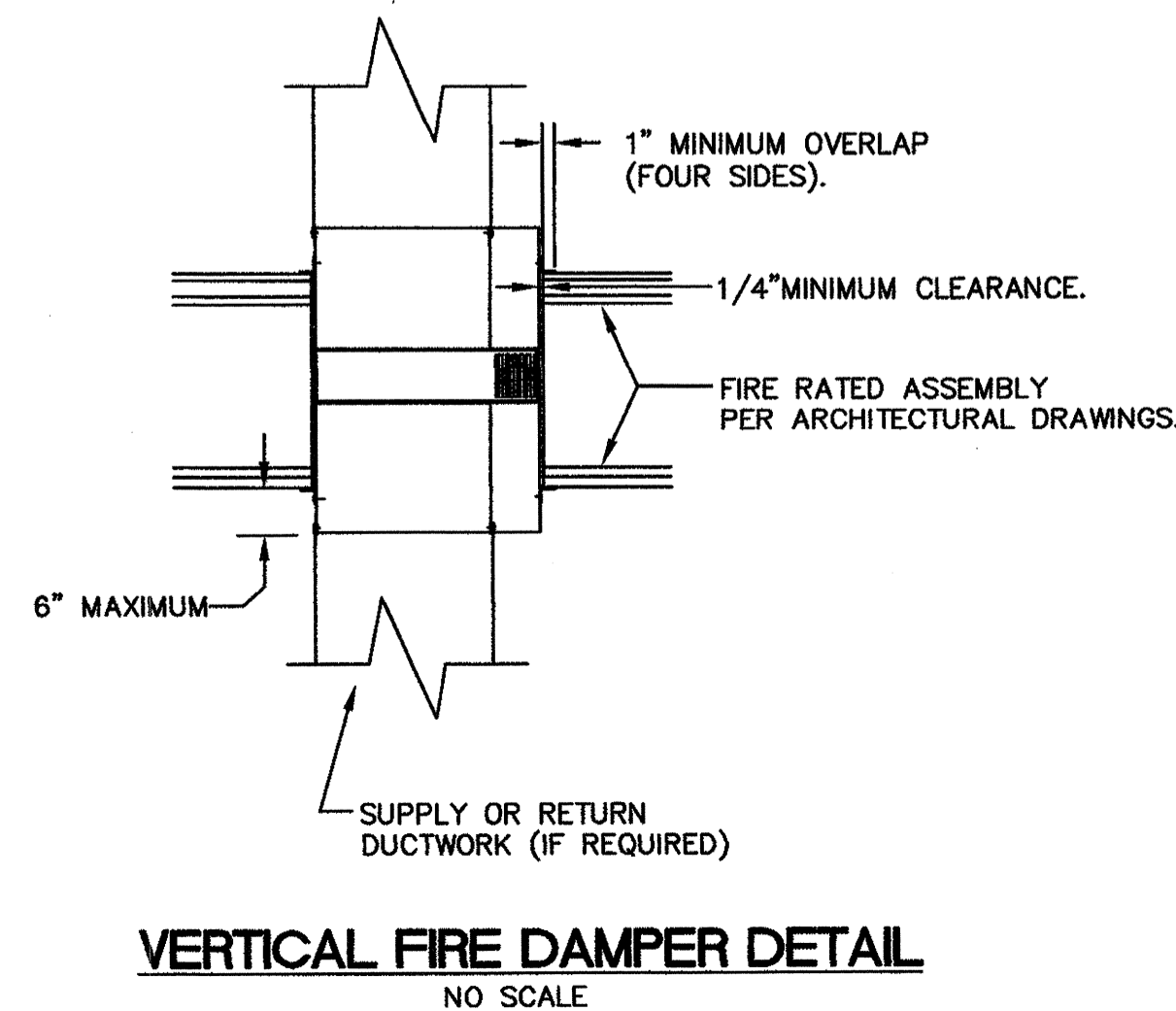
NOTE:
REFER TO MANUFACTURERS INSTALLATION INSTRUCTIONS AND INSTALL ALL DEVICES IN STRICT COMPLIANCE WITH THOSE INSTRUCTIONS. CONTRACTOR TO MAINTAIN A COPY OF THE INSTALLATION INSTRUCTIONS ON THE JOB SITE AT ALL TIMES FOR REFERENCE.



NOTE:
REFER TO MANUFACTURERS INSTALLATION INSTRUCTIONS AND INSTALL ALL DEVICES IN STRICT COMPLIANCE WITH THOSE INSTRUCTIONS. CONTRACTOR TO MAINTAIN A COPY OF THE INSTALLATION INSTRUCTIONS ON THE JOB SITE AT ALL TIMES FOR REFERENCE.



NOTE:
REFER TO MANUFACTURERS INSTALLATION INSTRUCTIONS AND INSTALL ALL DEVICES IN STRICT COMPLIANCE WITH THOSE INSTRUCTIONS. CONTRACTOR TO MAINTAIN A COPY OF THE INSTALLATION INSTRUCTIONS ON THE JOB SITE AT ALL TIMES FOR REFERENCE.



GENERAL NOTES:

- 1) SUPPORT SHEETMETAL AND FLEXIBLE DUCTWORK PER SMACNA STANDARDS.
- 2) OVERLAP FLEXIBLE DUCTWORK MINIMUM 4" OVER SHEETMETAL DUCTWORK. SECURE LINER WITH ZIP TIE. STAPLE GLASS FABRIC TAPE AND MASTIC TO DUCT WRAP IN ORDER TO SEAL FLEXIBLE DUCTWORK.

| REVISIONS | | |
|-----------|---------|-------------------------|
| No. | Date | Description |
| 1 | 3/02/06 | REV. FLEX DUCT L TO 10' |

MORELLI
Heating & Air Conditioning, Inc.
THE PROBLEM SOLVERS'

Job Number : 105261
Designed : 11/11/05
Plot Date : 03/02/06
Drawn : AKK
Approved By : JTH

THIS DRAWING IS THE PROPERTY OF MECHANICAL ENGINEERING CONSULTING ASSOCIATES, INC. UNAUTHORIZED USE OF ANY KIND, INCLUDING USE ON OTHER PROJECTS IS PROHIBITED.

MECHANICAL ENGINEERING CONSULTING ASSOCIATES, INC. NO. C00087
STATE OF SOUTH CAROLINA
MECHANICAL ENGINEER
No. 8872
STATE OF SOUTH CAROLINA
REGISTERED PROFESSIONAL ENGINEER

Project: OFFICES AT BELLE HALL BUILDING TWO MOUNT PLEASANT, SC
Sheet Title: MECHANICAL DETAILS

meca
Mechanical Engineering Consulting Associates, Inc.
P.O. Box 50644
Columbia, South Carolina
Phone: (803) 765-9421

Sheet No. **M300**
of 7
Project No. **105261**

PERMIT SET