

1. THE PROJECT MANUAL IS MADE A PART OF THESE PLANS AND SHALL BE CONSULTED BY THE CONTRACTOR. THE CONTRACTOR IS RESPONSIBLE FOR IMPLEMENTING WORK AS SPECIFIED IN THE PROJECT MANUAL AND ON THESE PLANS.

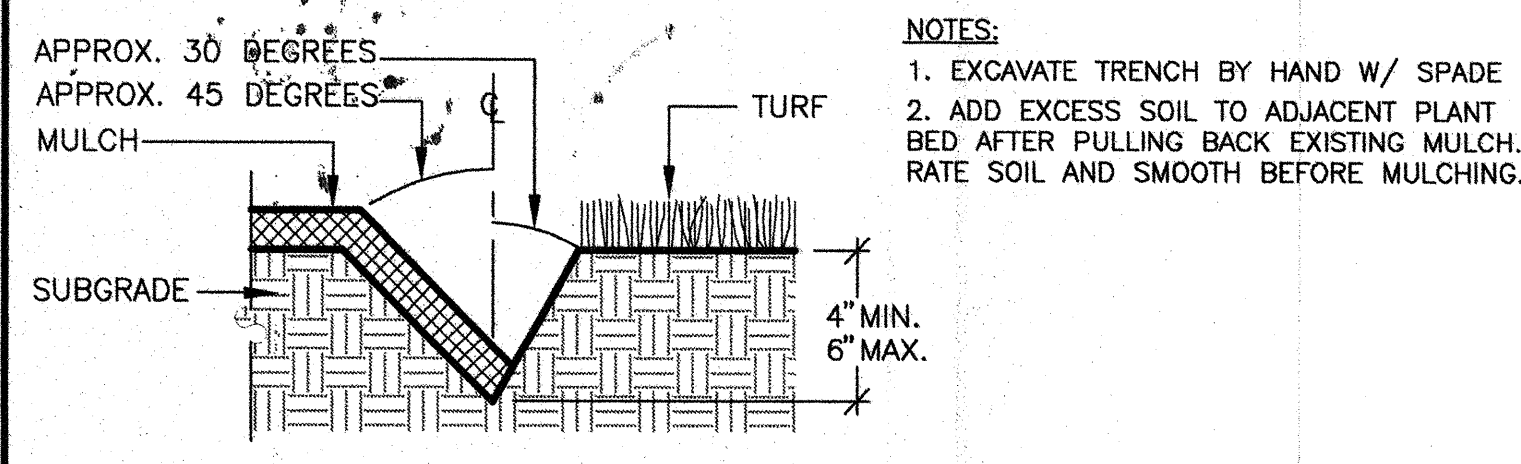
2. CONTRACTOR SHALL NOTIFY THIS OFFICE OF ANY DISCREPANCIES PRIOR TO BEGINNING OR CONTINUING WORK.

3. THERE WILL BE NO SUBSTITUTIONS, DELETIONS OR ADDITIONS WITHOUT APPROVAL OF THIS OFFICE.

4. SIZE OF PLANT MATERIALS SHALL CONFORM WITH THE CURRENT EDITION OF 'AMERICAN STANDARD FOR NURSERY STOCK' FOR NUMBER ONE GRADE NURSERY STOCK AS ADOPTED BY THE AMERICAN ASSOCIATION OF NURSERYMEN AND AMERICAN NATIONAL STANDARDS INSTITUTE.

5. THE QUANTITIES ON THE SCHEDULE ARE ONLY A GUIDE. ALL QUANTITIES SHALL BE VERIFIED BY THE CONTRACTOR ON THE PLANTING PLAN.

**PLANT SCHEDULE NOTES**

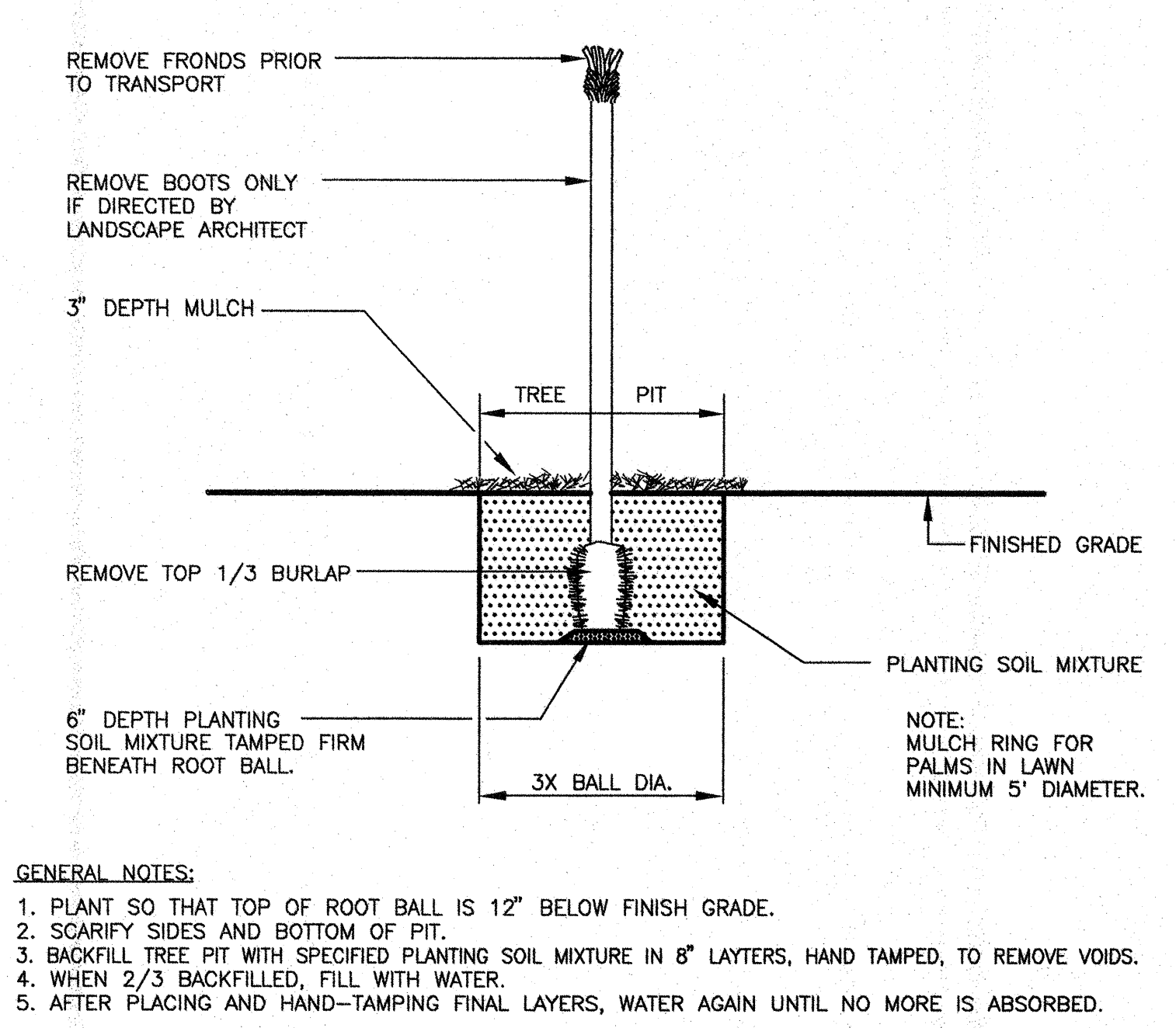


**1 | TYPICAL TREE PLANTING**

**2 | GROUND COVER PLANTING**

**3 | TREE PROTECTION DETAIL**

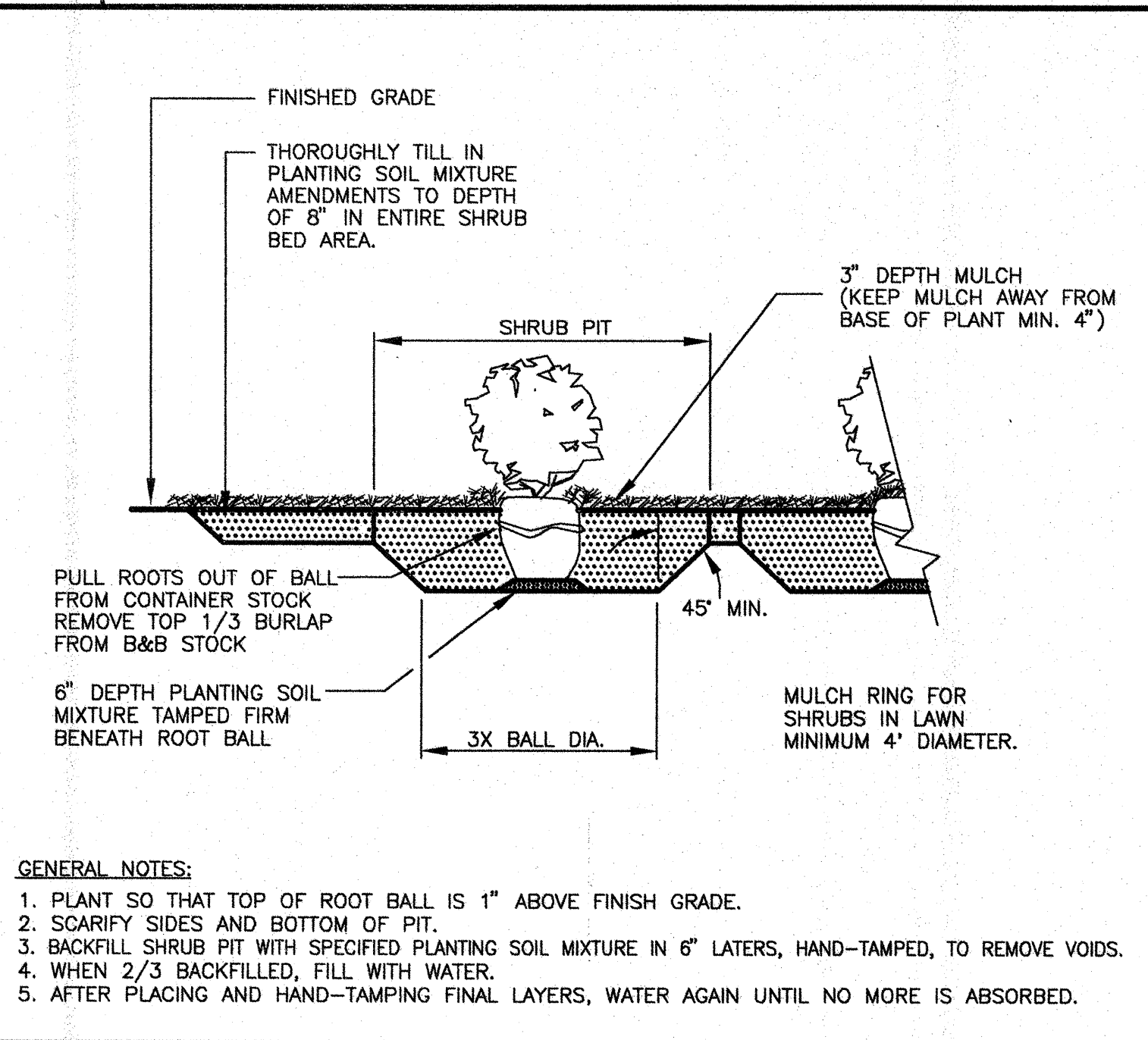
**4 | LAWN EDGE DETAIL**



**PLANT SCHEDULE**

CODE	BOTANICAL NAME	COMMON NAME	QUANTITY	HEIGHT	SPREAD/CALIPER	SPACING	REMARKS
<b>TREES</b>							
ACRR	ACER RUBRUM 'RED SUNSET'	RED SUNSET RED MAPLE	7	14'-16'	4"	AS SHOWN	FWF SP B&B
UP	ULMUS PARVIFOLIA	CHINESE ELM	21	14'-16'	4"	AS SHOWN	FWF SP B&B
PO	PLATANUS OCCIDENTALIS	EASTERN SYCAMORE	23	14'-16'	4"	AS SHOWN	FWF SP B&B
QV	QUERCUS VIRGINIANA	LIVE OAK	3	14'-16'	4"	AS SHOWN	FWF SP B&B
QP	QUERCUS PHELLOS	WILLOW OAK	20	14'-16'	4"	AS SHOWN	FWF SP B&B
QS	QUERCUS SHUMARDII	SAWTOOTH OAK	5	14'-16'	4"	AS SHOWN	FWF SP B&B
LS	LIQUIDAMBAR STYRACIFLUA	SWEETGUM	23	14'-16'	4"	AS SHOWN	FWF SP B&B OR CON
TD	TAXODIUM DISTICHUM	COMMON BALD CYPRESS	23	14'-16'	4"	AS SHOWN	FWF SP B&B OR CON
AB	ACER BUERGERANUM	TRIDENT MAPLE	12	14'-16'	4"	AS SHOWN	FWF SP CON OR B&B
SB	SALIX BABYLONICA	WEeping WILLOW	4	14'-16'	4"	AS SHOWN	FWF SP CON OR B&B
LXN	LAGERSTROEMIA INDICA 'NATCHEZ'	NATCHEZ CRAPE MYRTLE	16	7'-8'	2"-2 1/2" MS	AS SHOWN	FWF SP B&B OR CON, MULTI-STEM
MV	MAGNOLIA VIRGINIANA	SWEETBAY MAGNOLIA	13	7'-8'	2"-2 1/2" MS	AS SHOWN	FWF SP B&B OR CON, MULTI-STEM
LJ-T	LIGUSTRUM JAPONICUM (TREE FORM)	JAPANESE LIGUSTRUM (TREE FORM)	8	7'-8'	2"-2 1/2" MS	AS SHOWN	FWF SP B&B OR CON, MULTI-STEM
INS	ILEX X NELLIE R. STEVENS	NELLIE R. STEVENS HOLLY	5	7'-8'	2"-2 1/2" MS	AS SHOWN	FWF CON
SP	SABAL PALMETTO	PALMETTO	11	12'		AS SHOWN	
<b>SHRUBS</b>							
AGS	ABELIA GRANDIFLORA 'SHERWOOD'	SHERWOOD ABELIA	106	3 GAL		AS SHOWN	FWF CON
FS	FEJOA SELLOWIANA	PINEAPPLE GUAVA	26	3 GAL		2'-6" O.C.	FWF CON
RIA	RAPIHOLEPIS INDICA 'ALBA'	DWARF INDIAN HAWTHORN	123	3 GAL		3'-0" O.C.	FWF CON
VS	VIBURNUM SUSPENSUM	SANDANKWA VIBURNUM	124	3 GAL		4'-0" O.C.	FWF CON
AZG	AZALEA 'MRS. G.G. GERBING'	MRS. G.G. GERBING AZALEA	12	3 GAL		4'-0" O.C.	FWF CON
ICC	ILEX CRENATA 'CARISSA'	CARISSA HOLLY	97	3 GAL		3'-0" O.C.	FWF CON
CR	CYCAS REVOLUTA	SAGO PALM	2	3 GAL		5'-0" O.C.	FWF CON
MSG	MISCANTHUS SINENSIS 'MORNING LIGHT'	MORNING LIGHT MISCANTHUS	32	3 GAL		3'-6" O.C.	FWF CON
MSYJ	MISCANTHUS SINENSIS 'YAKU JIMA'	DWARF MAIDEN GRASS	45	3 GAL		3'-0" O.C.	FWF CON
LC	LOROPETALUM CHINENSE 'ZHUSHOU FUCHSIA'	ZHUSHOU FUCHSIA CHINESE FRINGE TREE	20	3 GAL		3'-0" O.C.	FWF CON
PM	PODOCARPUS MACROPHYLLA	SOUTHERN YEW	11	3 GAL		AS SHOWN	FWF SP B&B OR CON
LJ	LIGUSTRUM JAPONICUM	JAPANESE LIGUSTRUM	44	7 GAL		3'-0" O.C.	FWF CON
FJ	FATSIA JAPONICA	FATSIA	11	7 GAL		3'-6" O.C.	FWF CON
TK	THELYPTERIS KUNTHII	SOUTHERN SHIELD FERN	50	1 GAL		2'-0" O.C.	FWF CON
<b>GROUND COVERS</b>							
AE	ASPIDISTRA ELIATOR	CAST IRON PLANT	46	1 GAL		24" O.C.	FWF CON
LMEG	LIRIOPE MUSCARI 'EVERGREEN GIANT'	EVERGREEN GIANT LIRIOPE	1054	1 GAL		15" O.C.	FWF CON
JP	JUNIPERUS CHINENSIS 'PARSONII'	PARSONS JUNIPER	840	1 GAL		3'-0" O.C.	FWF CON
TA	TRACHELOSPERMUM ASIATICUM	ASIATIC JASMINE	609	4" POT		15" O.C.	FWF CON
TJ	TRACHELOSPERMUM JASMINOIDES	CONFEDERATE JASMINE	1007	4" POT		15" O.C.	FWF CON
<b>ANNUALS / PERENNIALS</b>							
CBT	CALLA 'BENGAL TIGER'	BENGAL TIGER CALLA LILY	6	1 GAL			FWF CON
ANN	ANNUAL MIXTURE		75 SF	2 1/2" POTS			FWF CON
<b>LAWN</b>							
SOD	PALMETTO ST. AUGUSTINE		13209 SQ FT				
SEED	CENTPEDE		ALL DISTURBED AREAS				
<b>MULCH</b>							

**5 | TYPICAL TREE PLANTING-PALM**



**6 | TYPICAL SHRUB PLANTING**

**SEAMON WHITESIDE & ASSOCIATES, INC.**  
503 WANDO PARK BLVD. 209 E WASHINGTON ST. GREENVILLE, SC 29601-2835  
(864) 298-0534 phone (864) 298-8018 fax  
Master Planning Landscape Architecture Urban Design Sports & Recreation  
email: swa@swa.com

**South Carolina State Landscape Architect License**  
No. 1000  
J. LEE CASTLEY

**OFFICES at BELLE HALL**  
Southeast Management and Leasing Corporation  
Mount Pleasant, South Carolina

DRAWN BY: BAE  
CHECKED BY: BAE

PLOT SCALE: 1 = 1  
SERVER FILENAME: 3552(LDW)3552PPA-PS-Rev.DWG

PROJECT: 3552.00  
DATE: 10 January 01

NO.	DATE	REVISION NOTES	BY
1	01/25/01	PER REVISED BUILDING HVAC INFORMATION	BAE
2	02/23/01	REV. WALK/PATININGS, TREE MITIGATION FOR 4 TREES PER STAFF/DRB	BAE
3	12/31/01	PER STAFF COMMENTS, CHANGE TREES IN MEDIAN TO ARCC.	BAE
4	4/15/02	PER STAFF COMMENTS, TREES PER REV. REPLACEMENT	BAE
5	08/14/02	DRB RESUBMITTAL (FOR REFERENCE) FOR APPROVAL UPDATE	BAE
6	10/12/01	REVISIONS PER DRB COMMENTS FOR DRB COMMITTEE	BAE
7	01/06/02	FINAL SUBMITTAL TO TOWN	BAE