

FIRST FLOOR FIRE PROTECTION PLAN
SCALE: 1/8" = 1'-0"

- NOTE:
- SEE SHEET FP2 FOR GENERAL NOTES.
 - SEE SHEET FP2 FOR HANGER DETAILS.
 - STAIRS ARE CONCRETE NON COMBUSTIBLE.
 - HEAD IN ELEVATOR SHAFT TO BE LOCATED A MAXIMUM OF 2 FT. FROM THE BOTTOM OF THE SHAFT.
 - SIDEWALL HEADS TO BE LOCATED 4" TO 12" BELOW CEILING.
 - DEFLECTOR OF UPRIGHT HEADS TO BE LOCATED A MAXIMUM OF 22" BELOW DECK.
 - ATTACH EARTHQUAKE BRACING TO CONCRETE DECK WITH EXPANSION SHIELDS.
 - HANG SPRING USING APPROPRIATE CONFIGURATION AS FIELD CONDITIONS DICTATE.
 - RUN ALTHREAD ROD TO WITHIN 1/16" OF TOP OF PIPE AS PER NFPA 13-2002 REQUIRES.
 - HEADS TO BE LOCATED A MINIMUM OF 4" FROM ANY WALL.

DROPS CHART

A	1 X 4-6	w/ 1 X 1/2	RED COUP 6
B	1 X 2-6	w/ 1 X 3/4	RED COUP 5

RISER LEGEND

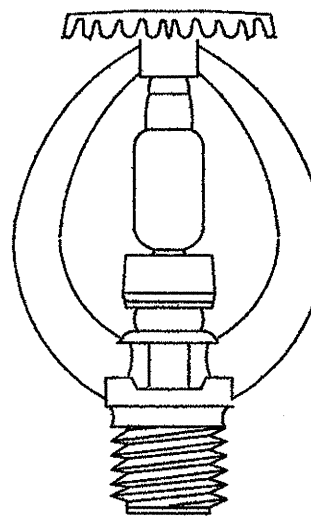
- 3" AMES 2000SS BACKFLOW PREVENTOR WITH OS&YS AND TAMPER SWITCHES
- 3X11 COMPANION FLANGE FIRE TECH SERVICES TO BEGIN HERE
- 3" X0-6 GALVANIZED PXC SCH. 40
- 3" GROOVED FLEXIBLE COUPLING LOCATED 18" AFF MAX.
- 3" GROOVED FLANGE
- 3" GROOVED BUTTERFLY VALVE WITH TAMPER
- 3" FLOW SWITCH
- PRESSURE GAUGE WITH 3-1/4" VALVE & PLUG
- 1 1/4" ANGLE VALVE (MAIN DRAIN)
- 3" GROOVED DRAIN 90
- 6 HD SPARE HEAD CABINET
- PIPE STAND
- 6" ELECTRIC BELL 120 VAC
- 3" GROOVED SWING CHECK VALVE
- 1 1/4" MAIN DRAIN RUN OUTSIDE BESIDE FDC
- 2 1/2 X 2 1/2 X 4 BRASS FDC WITH CAPS AND CHAINS RUN OUTSIDE SEE PLAN FOR ARRANGEMENT

ELEVATOR EQUIPMENT SUPPLY
SCALE: 1/4" = 1'-0"



REVISIONS

REV. NO.	DATE	BY	DESCRIPTION



SPRINKLER SYMBOL DESCRIPTION

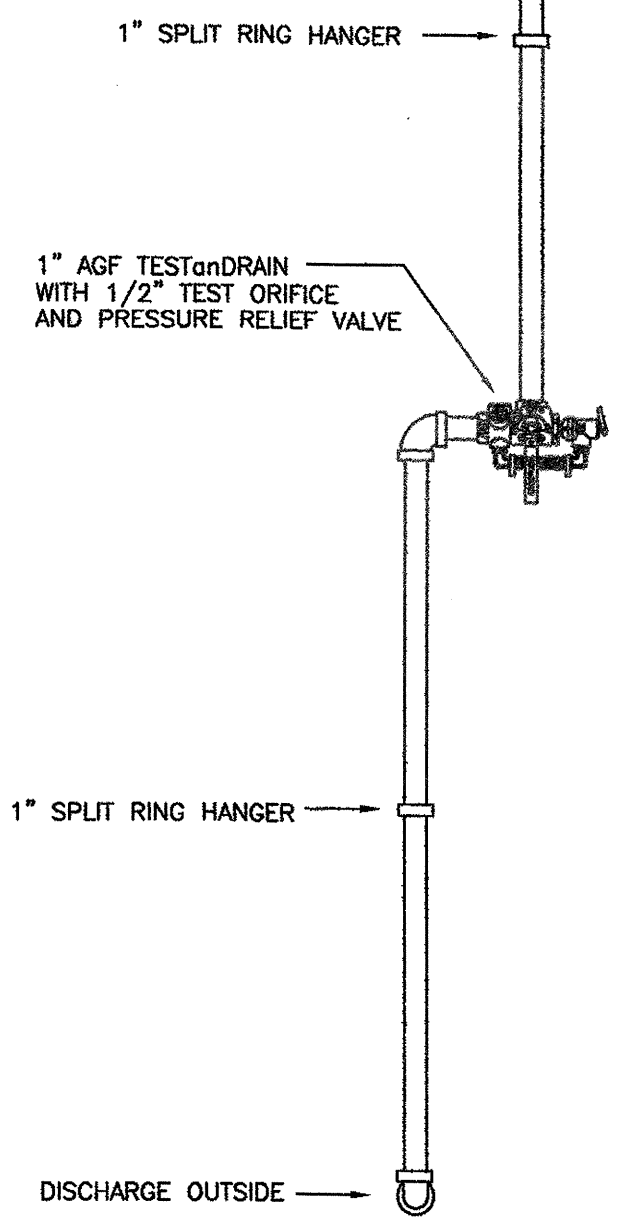
SIN NO.	SYMBOL	SIZE	STYLE	MAKE	FINISH	MODEL	TEMP	K-FACTOR	TOTAL
TY3131	○	1/2	UPRIGHT	TYCO	BRASS	TY-FRB	200	5.6	3
TY3131	○	1/2	UPRIGHT	TYCO	BRASS	TY-FRB	155	5.6	102
TY3231	●	1/2	SSP-401	TYCO	CHROME	TY-FRB	155	5.6	6
TY5237	⊗	3/4	ECSSP-40	TYCO	CHROME	EC-11	155	11.2	5
TY3331	◁	1/2	SIDEWALL	TYCO	CHROME	TY-FRB	200	5.6	2
TY3302	▷	1/2	SIDEWALL	TYCO	CHROME	TY-FRB	155	5.6	1
TOTAL SPRINKLERS SHOWN ON THIS SHEET									119
TOTAL SPRINKLERS REQUIRED ON THIS CONTRACT									119

FIRE TECH SERVICES, INC.

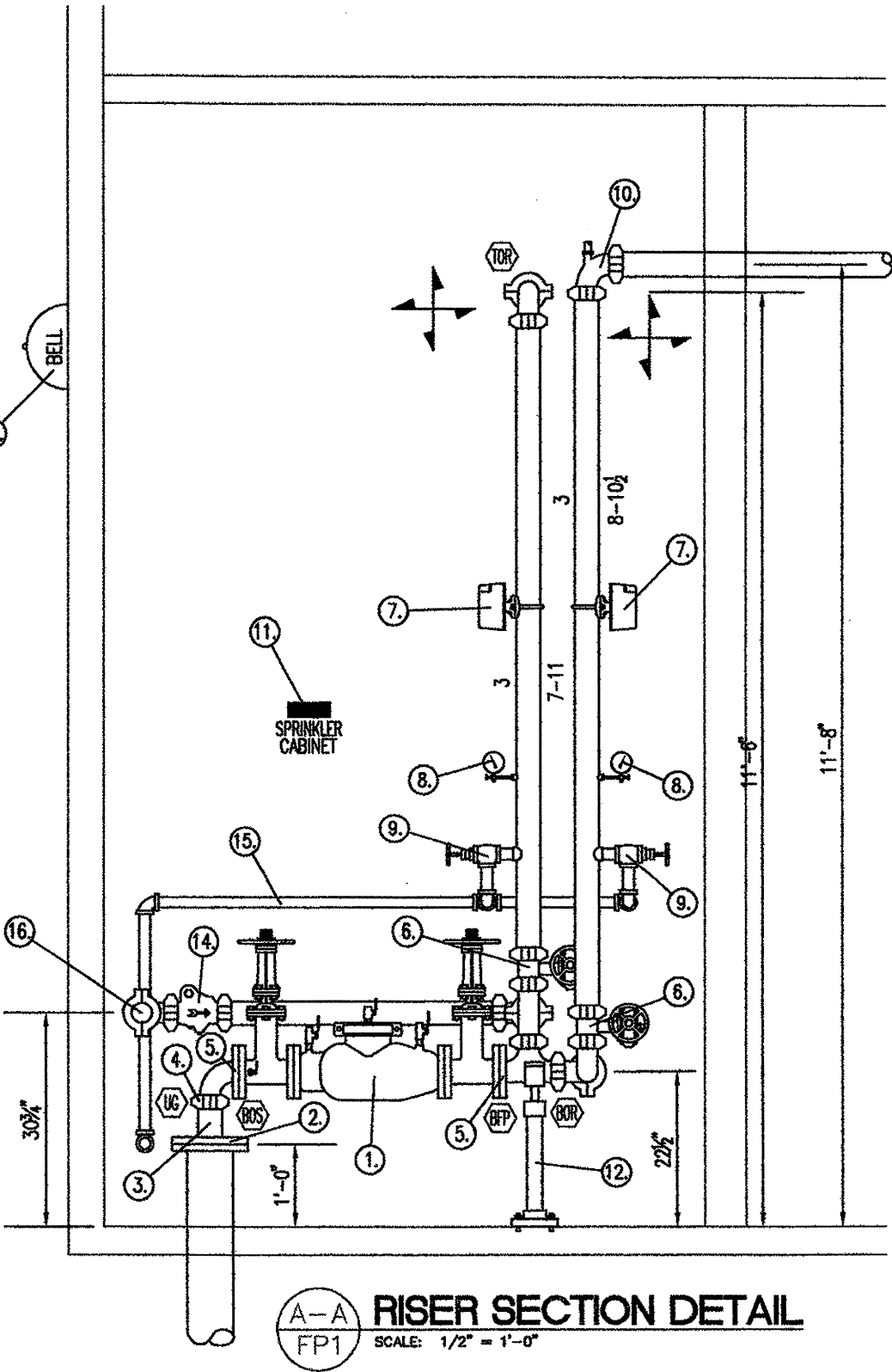
480 D JESSEN LANE
WANDO, SOUTH CAROLINA 29492
PHONE 843-216-1234 FAX 843-216-1400

PROJECT: OFFICES AT BELLE HALL
LONG POINT ROAD
MT. PLEASANT, SC
Choate Construction - Marshall Gesling (843) 284-9047

Date: 12-21-2005
Scale: 1/8"=1'-0"
Job No. 02-005-030
Drawn By: Dan Cave
Sheet No. FP1 OF FP2



INSPECTORS TEST
SCALE: 1" = 1'-0"



RISER SECTION DETAIL
SCALE: 1/2" = 1'-0"