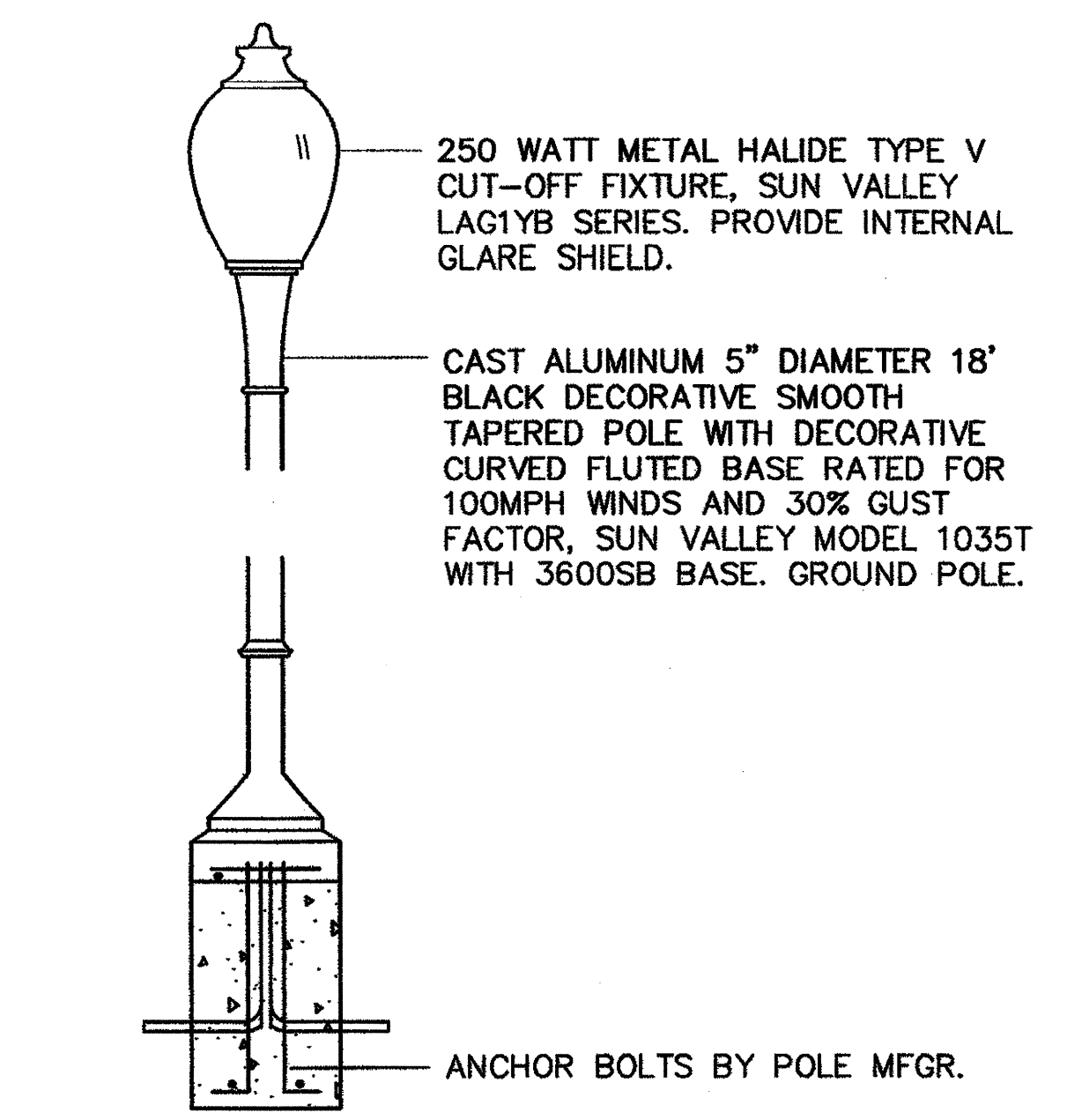


EPIC ENGINEERING INC.
 P.O. BOX 2108 - MT. PLEASANT, SC 29468
 (843) 649-0676 EPIC JOB NO. 05176
 ALL RIGHTS RESERVED. NO REPRODUCTION OF THIS DOCUMENT OR USE IN ANY MANNER IS PERMITTED WITHOUT THE WRITTEN PERMISSION OF EPIC ENGINEERING, INC.

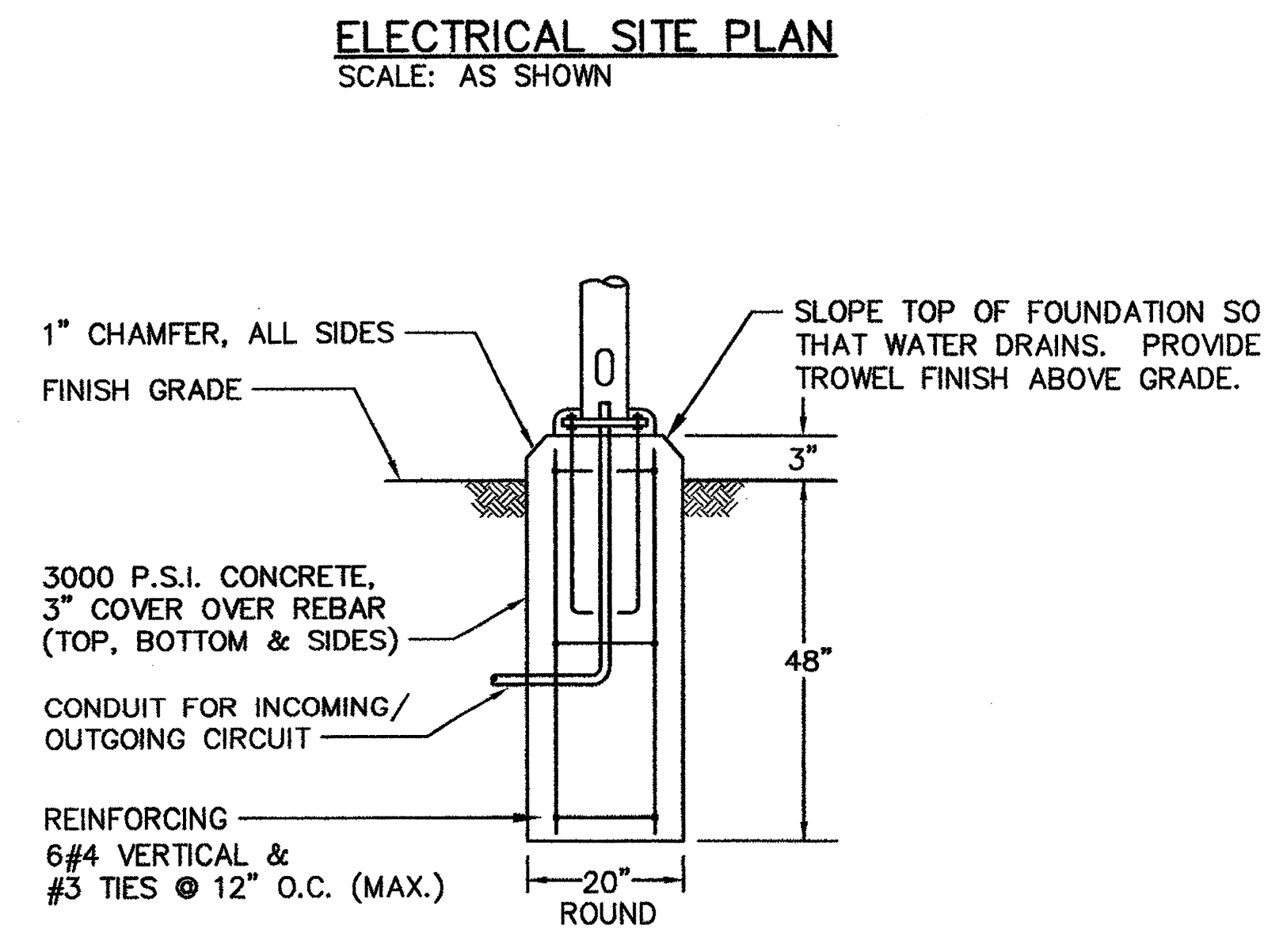
DESIGNED BY:	JRA
APPROVED BY:	JRA
DRAWN BY:	RAD
CHECKED BY:	JRA

REVISIONS	
DESCRIPTION:	
DATE REVISION:	
DESCRIPTION:	
DATE REVISION:	
DESCRIPTION:	
DATE REVISION:	

**OFFICES AT BELLE HALL
 BUILDINGS 1 & 2**
 LONG POINT ROAD
 MOUNT PLEASANT, SC
 PROJECT TITLE



LIGHT POLE AND FIXTURE DETAIL
 SCALE: NONE



POLE FOUNDATION DETAIL
 SCALE: NONE

ELECTRICAL SITE PLAN
 SCALE: AS SHOWN

- NOTES:**
- ALL CIRCUITS THIS SHEET SHALL BE 2#10, 1#10G, 3/4"C.
 - PROVIDE 4" CONDUITS FOR TELEPHONE COMPANY USE. STUB UP IN MAIN TELEPHONE EQUIPMENT ROOM IN EACH BUILDING. SEE FLOORPLANS FOR EXACT LOCATIONS. COORDINATE EXACT LOCATION OF BELLSOUTH HANDHOLES AND EQUIPMENT PEDESTALS WITH TELEPHONE COMPANY PRIOR TO COMMENCING WORK.

ELECTRICAL SITE PLAN	DRAWING TITLE
	SCALE: AS SHOWN
	DATE: 1/06/06

SHEET NUMBER	E301 OF 10
CAD FILE NAME:	05176E301
© EPIC ENGINEERING 2006	