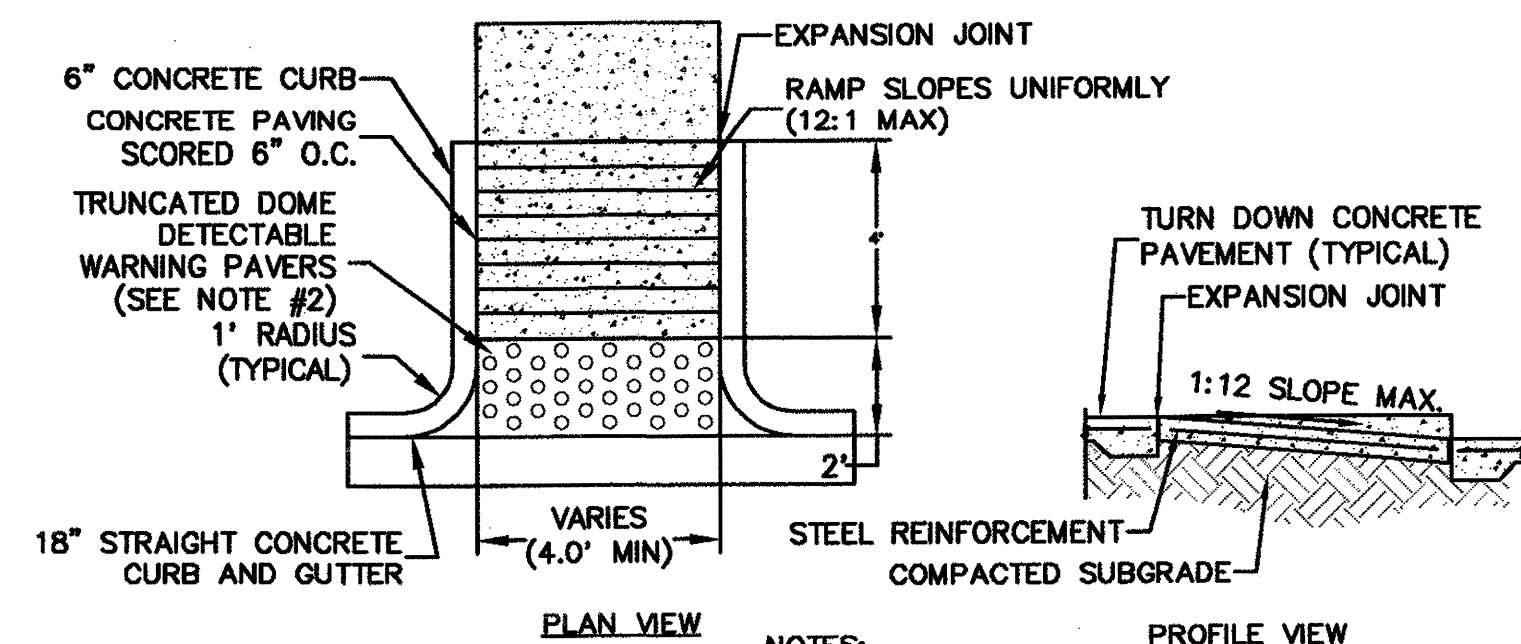
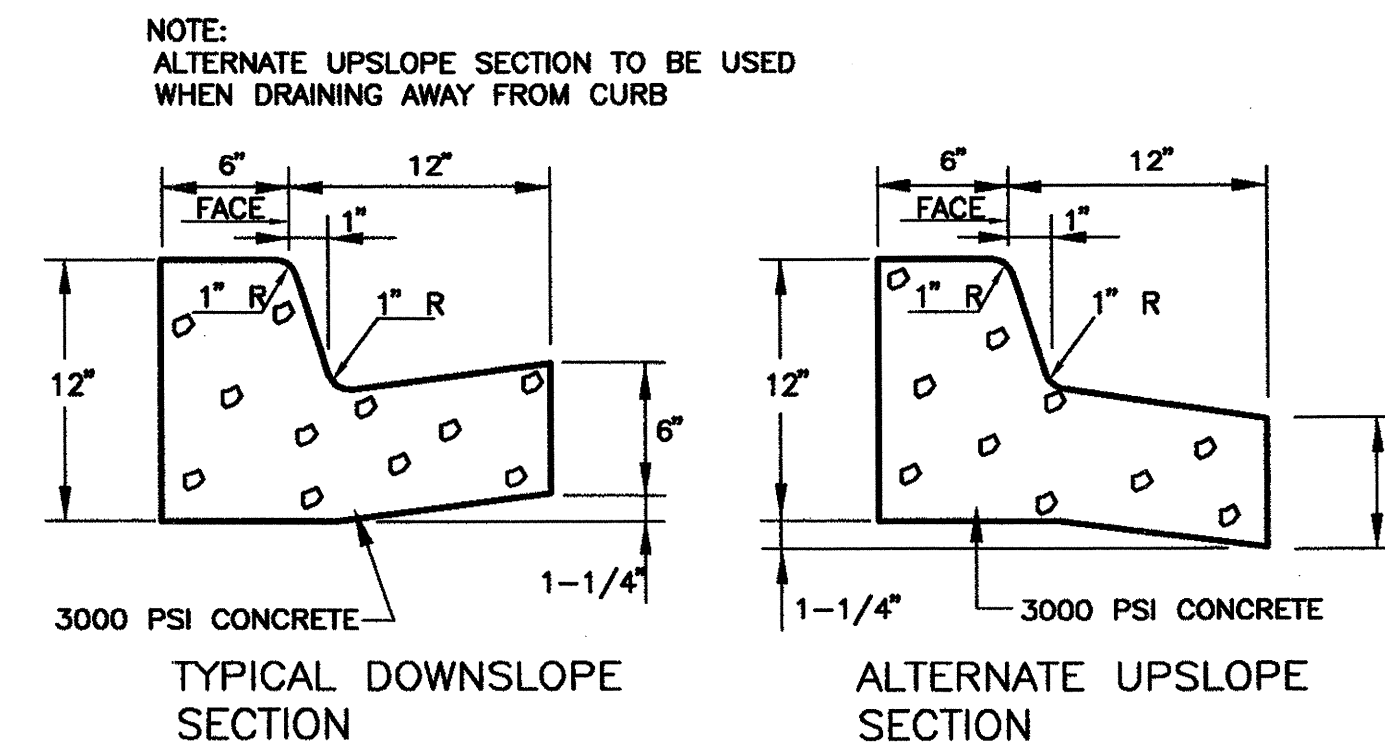


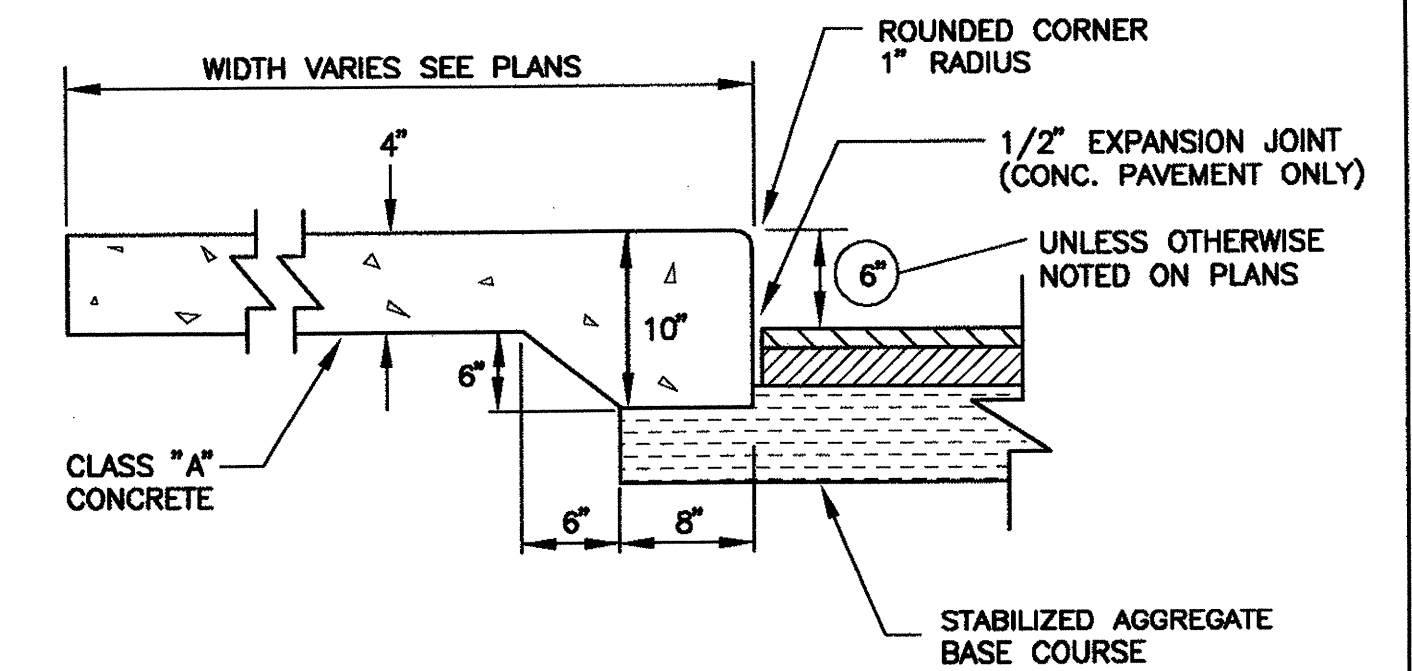
DETAIL: STANDARD DUTY PAVING SECTION (NEW PAVEMENT)
(NOT TO SCALE)



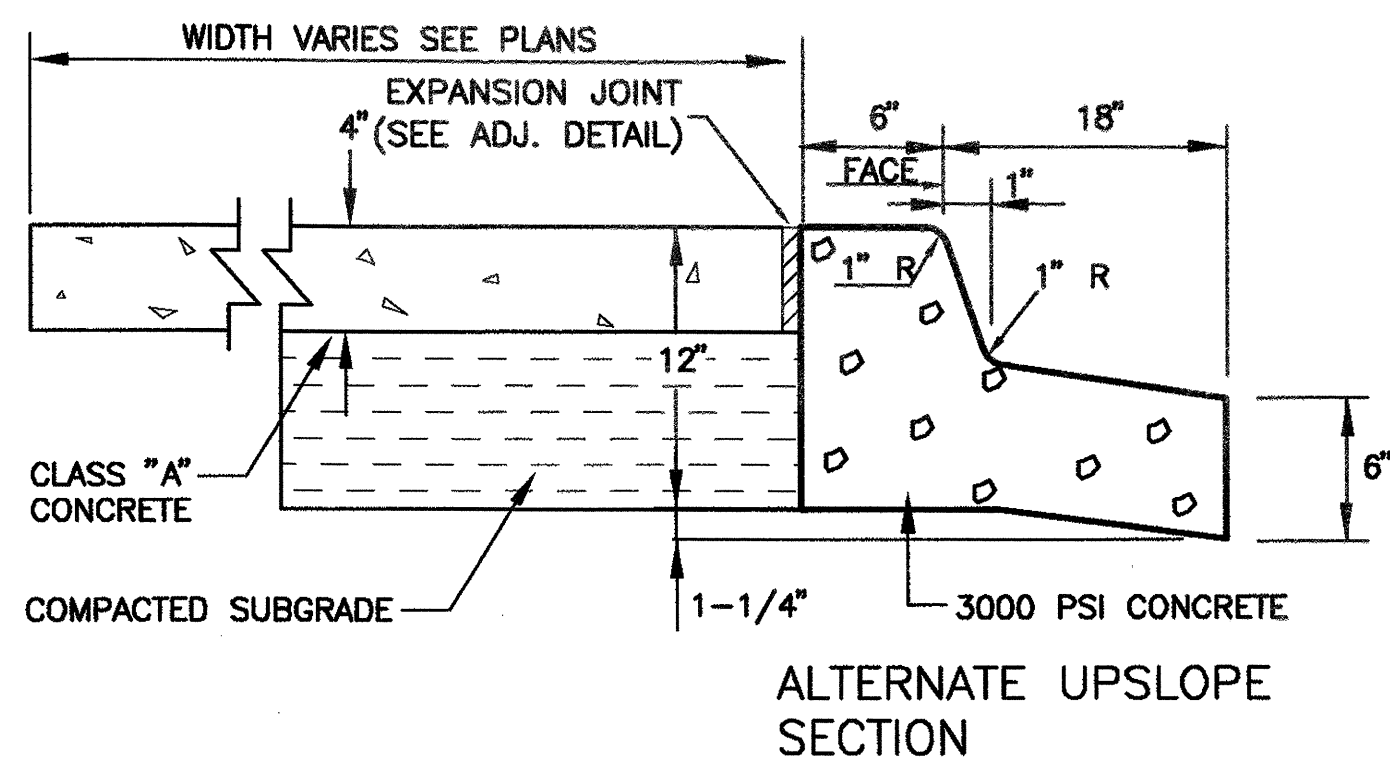
DETAIL: HANDICAP RAMP
(NOT TO SCALE)



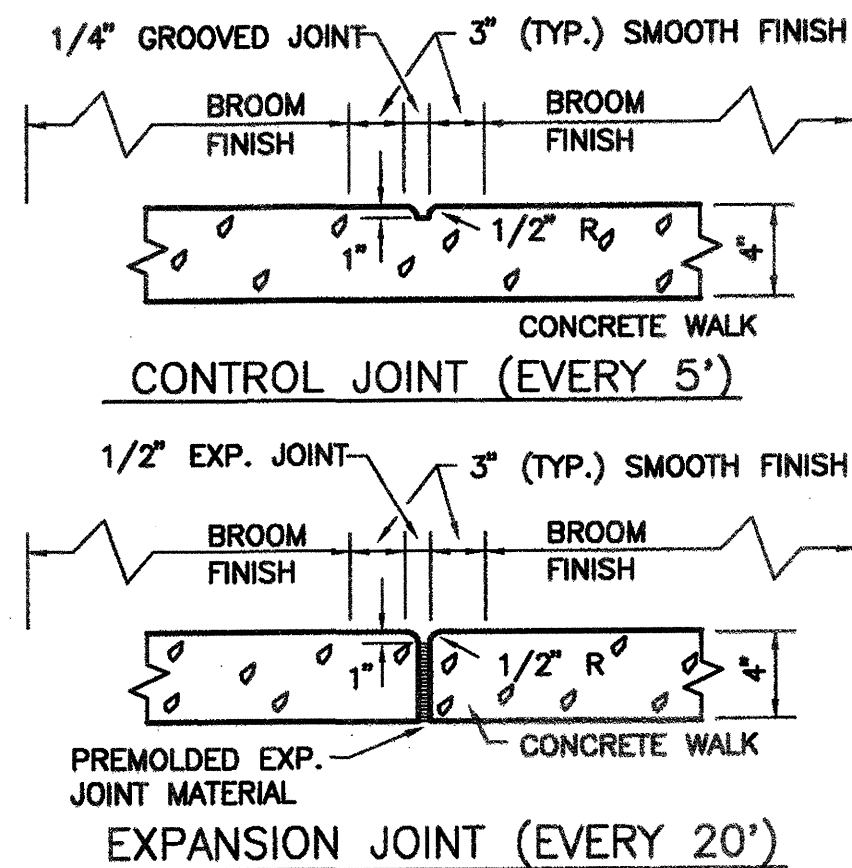
DETAIL: 18" STRAIGHT CONCRETE CURB AND GUTTER
(NOT TO SCALE)



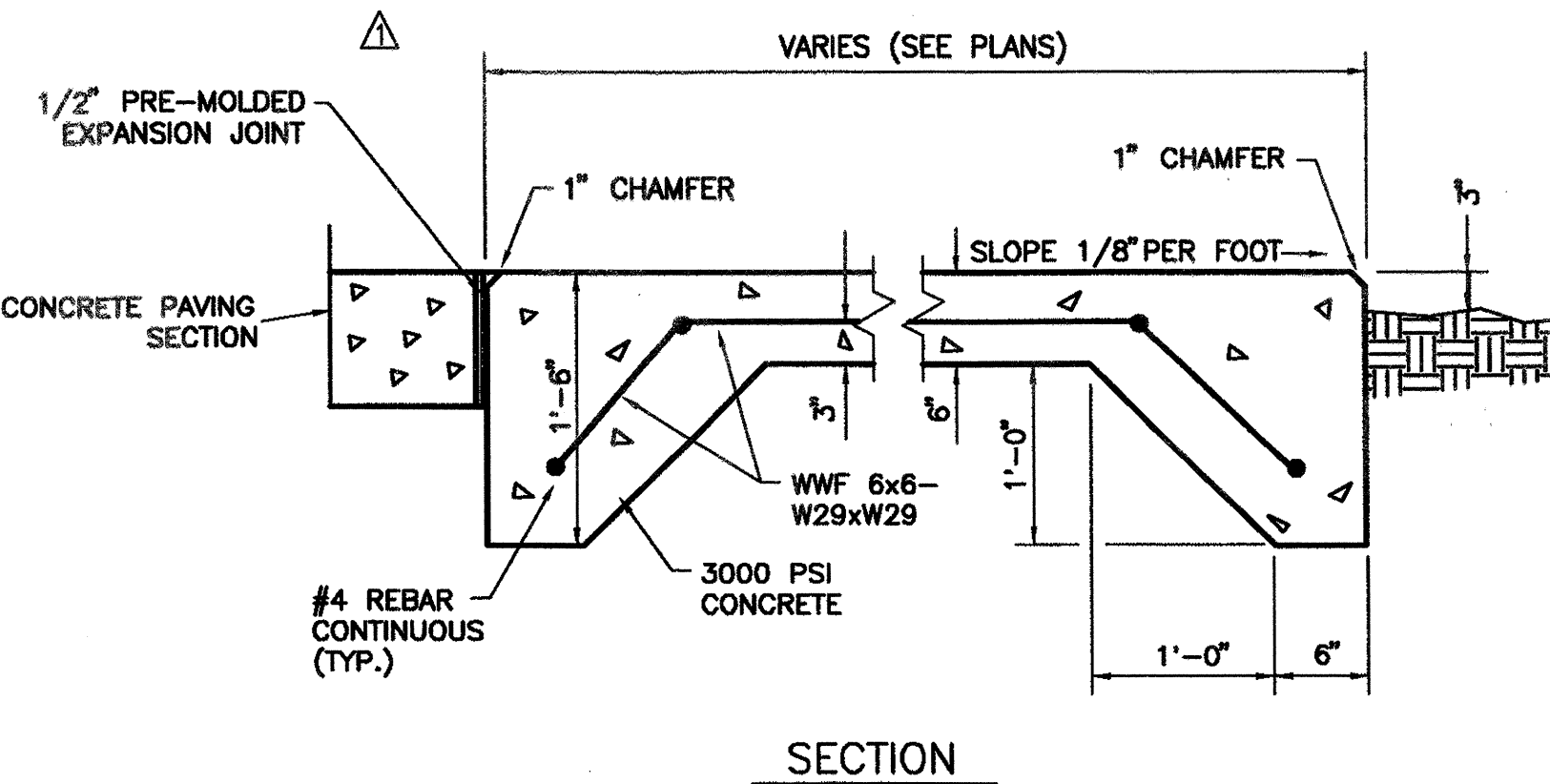
DETAIL: CONCRETE HEADER SIDEWALK
(NOT TO SCALE)



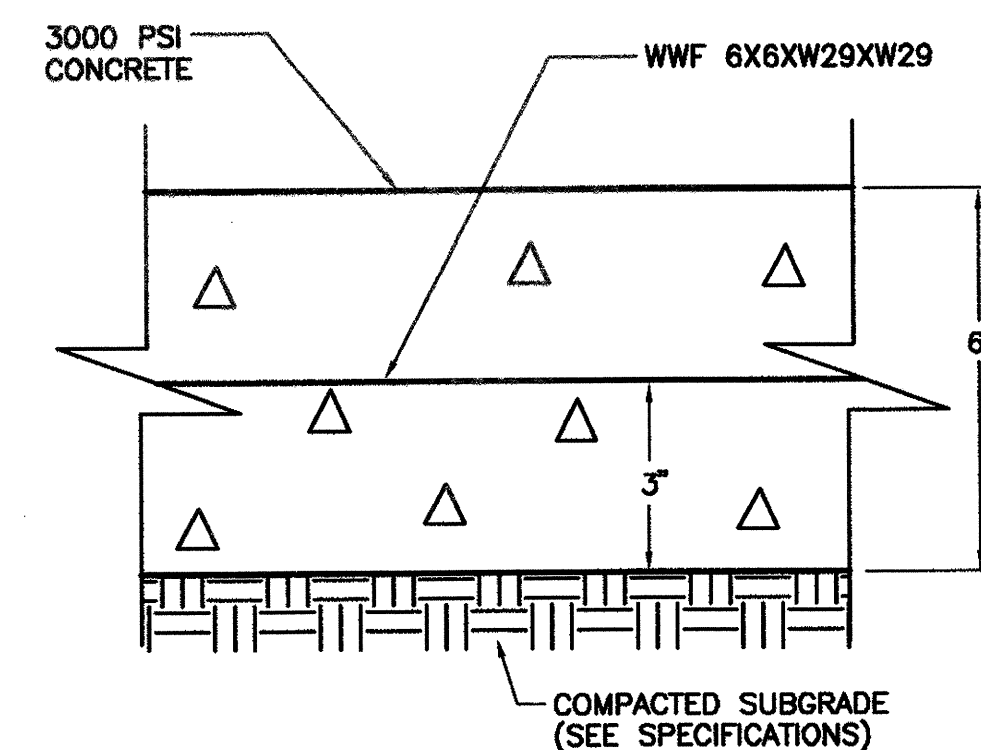
DETAIL: TO CURB
(NOT TO SCALE)



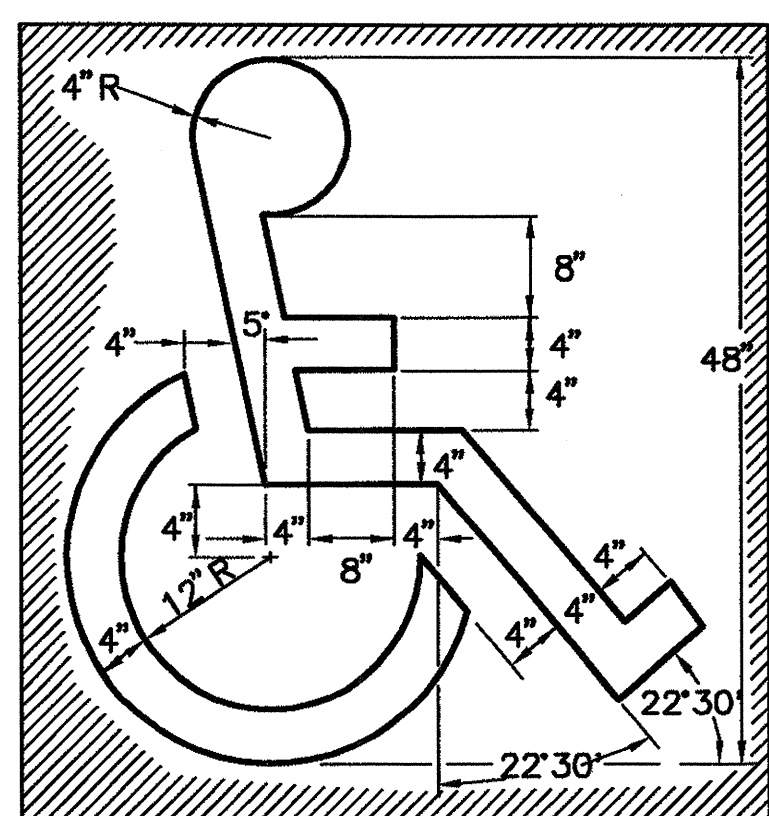
DETAIL: CONTROL AND EXPANSION JOINTS
(NOT TO SCALE)



DETAIL: DUMPSTER PAD
(NOT TO SCALE)

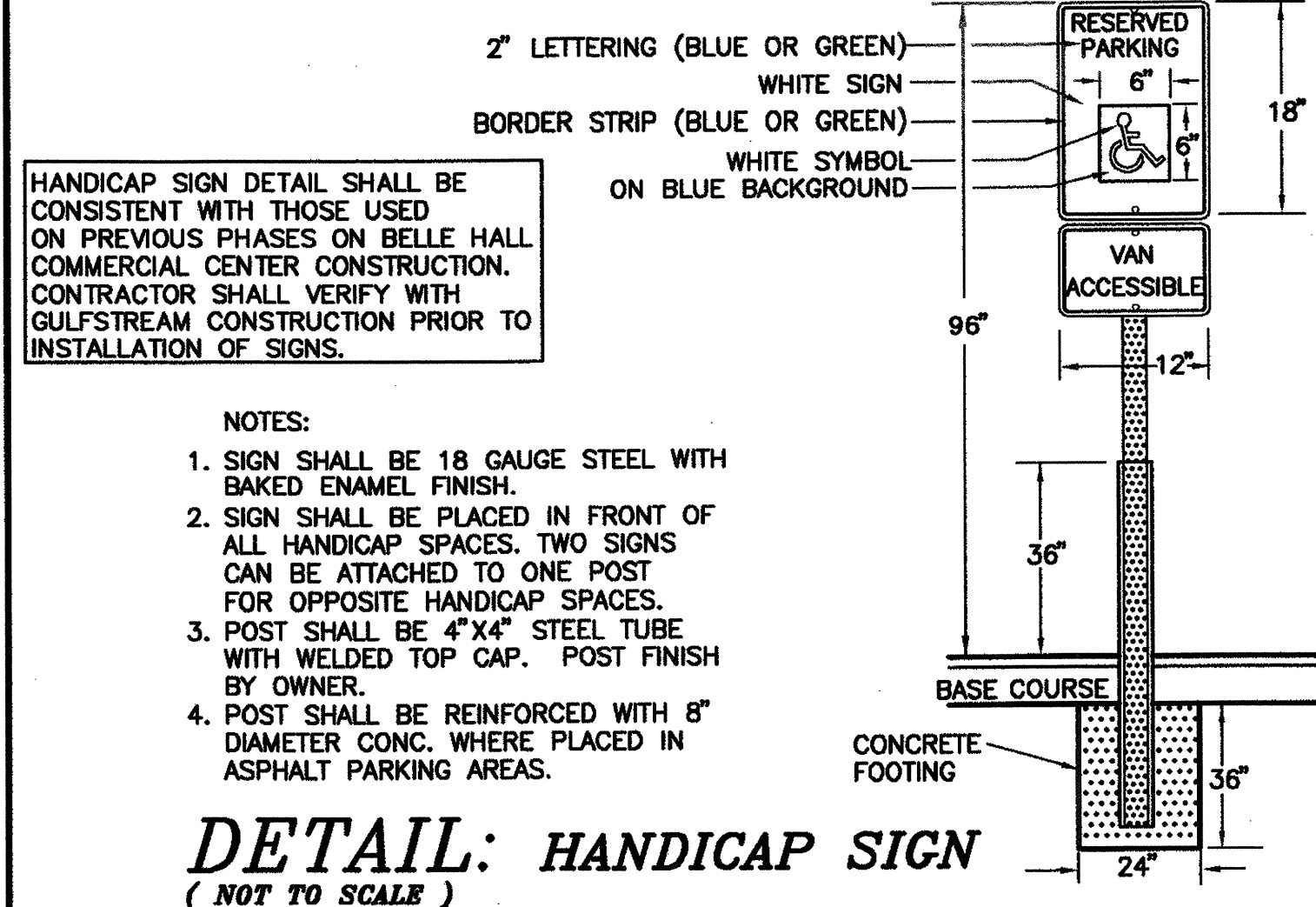


DETAIL: CONCRETE PAVING SECTION (AT DUMPSTER APPROACH)
(NOT TO SCALE)



DETAIL: PAINTED HANDICAP SYMBOL (PAVEMENT)
(NOT TO SCALE)

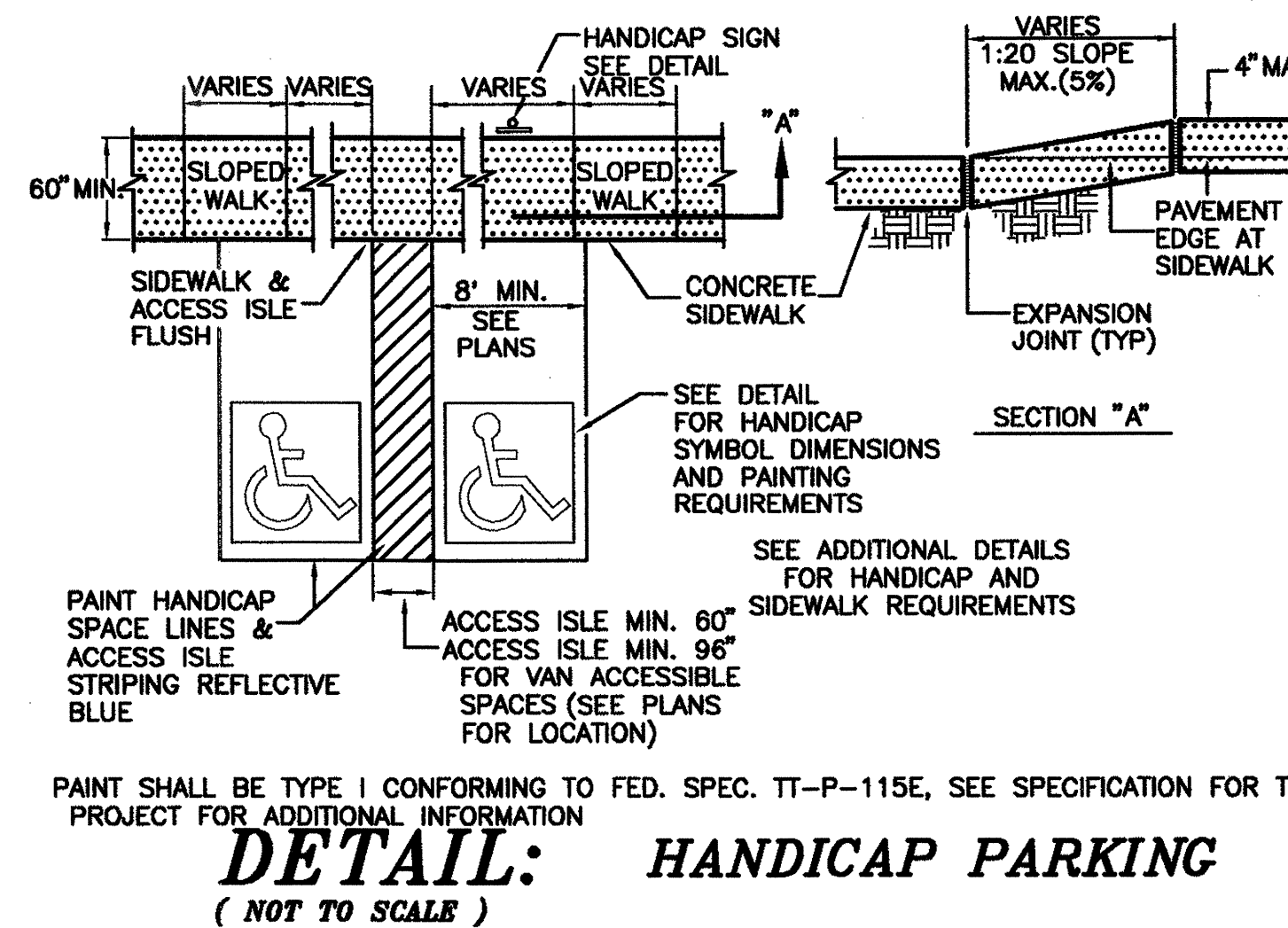
- PAINING REQUIREMENTS:**
- HANDICAP SYMBOL SHALL BE PAINTED WHITE ON A SOLID BLUE BACKGROUND OR
 - HANDICAP SYMBOL SHALL BE PAINTED BLUE WITH A BLUE OUTLINE.
 - PAINT SHALL BE TYPE I CONFORMING TO FED. SPEC.'S TT-P-115E. SEE SPEC.'S FOR THIS PROJECT FOR ADDITIONAL INFORMATION.



DETAIL: HANDICAP SIGN
(NOT TO SCALE)

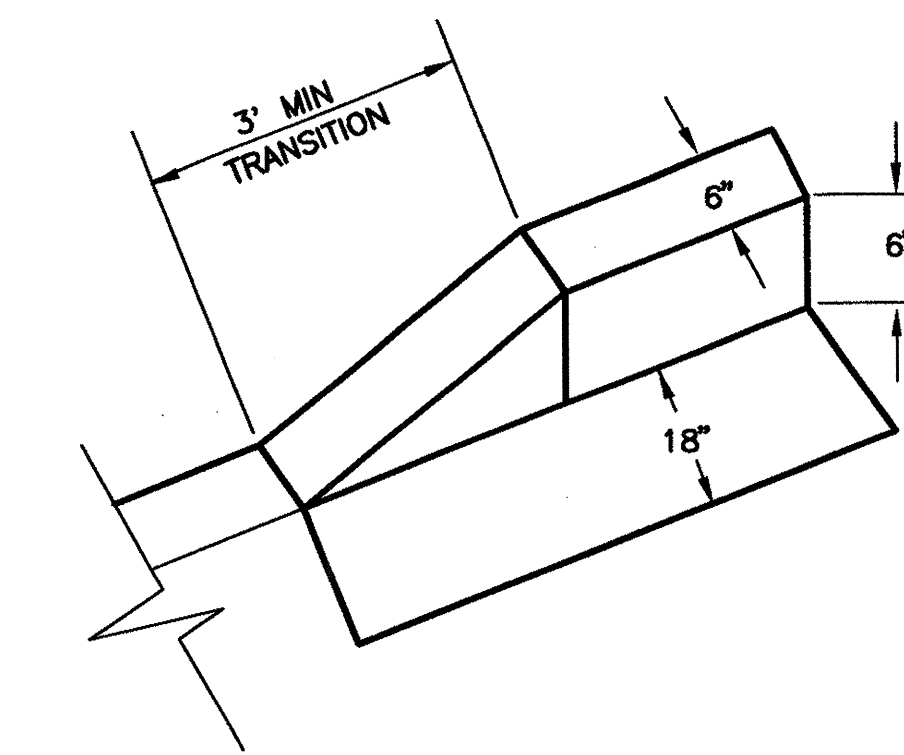
HANDICAP SIGN DETAIL SHALL BE CONSISTENT WITH THOSE USED ON PREVIOUS PHASES ON BELLE HALL COMMERCIAL CENTER CONSTRUCTION. CONTRACTOR SHALL VERIFY WITH GULFSTREAM CONSTRUCTION PRIOR TO INSTALLATION OF SIGNS.

- NOTES:**
- SIGN SHALL BE 18 GAUGE STEEL WITH BAKED ENAMEL FINISH.
 - SIGN SHALL BE PLACED IN FRONT OF ALL HANDICAP SPACES. TWO SIGNS CAN BE ATTACHED TO ONE POST FOR OPPOSITE HANDICAP SPACES.
 - POST SHALL BE 4"x4" STEEL TUBE WITH WELDED TOP CAP. POST FINISH BY OWNER.
 - POST SHALL BE REINFORCED WITH 8" DIAMETER CONC. WHERE PLACED IN ASPHALT PARKING AREAS.



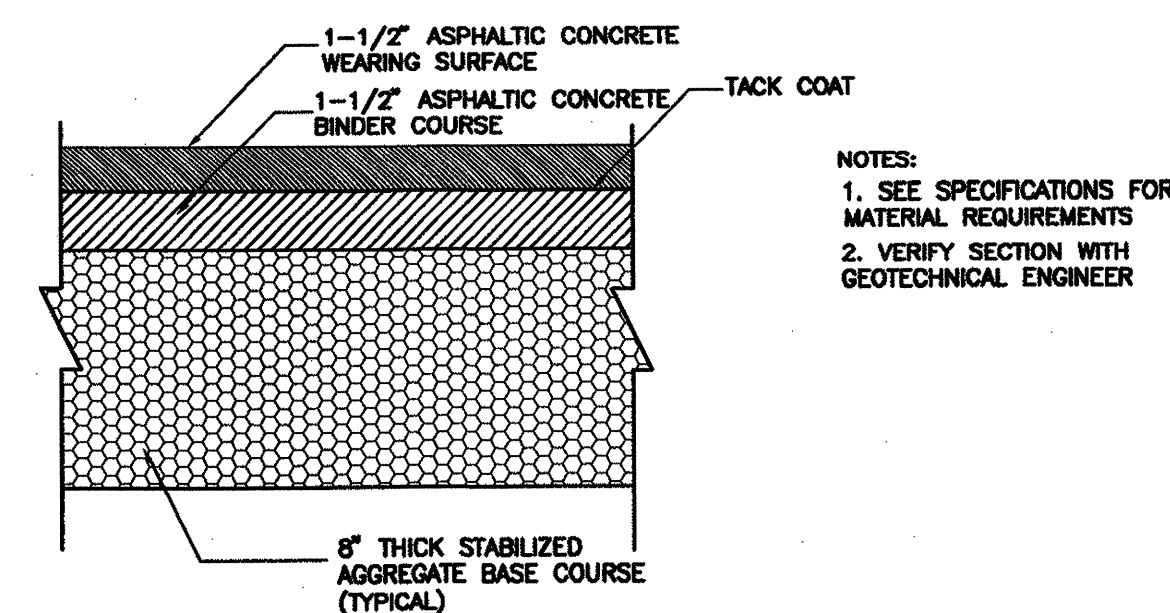
DETAIL: HANDICAP PARKING
(NOT TO SCALE)

PAINT SHALL BE TYPE I CONFORMING TO FED. SPEC. TT-P-115E, SEE SPECIFICATION FOR THIS PROJECT FOR ADDITIONAL INFORMATION

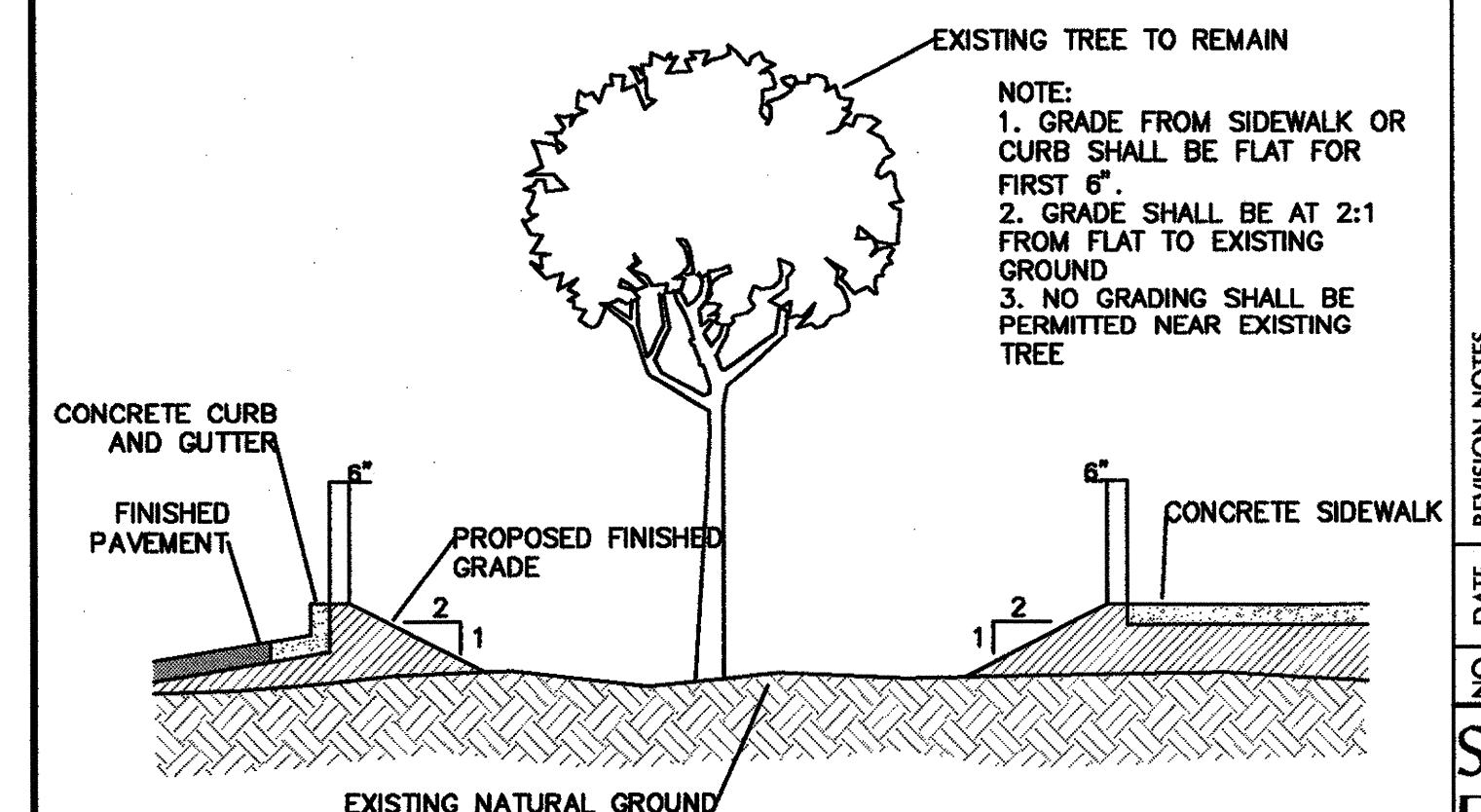


DETAIL: DEPRESSED 18" CONCRETE STRAIGHT CURB & GUTTER
(NOT TO SCALE)

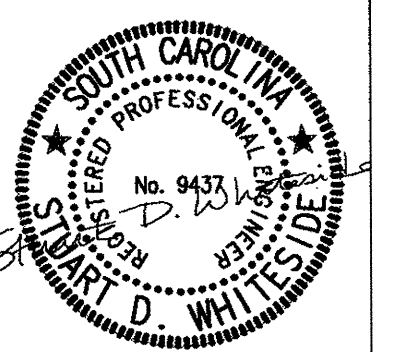
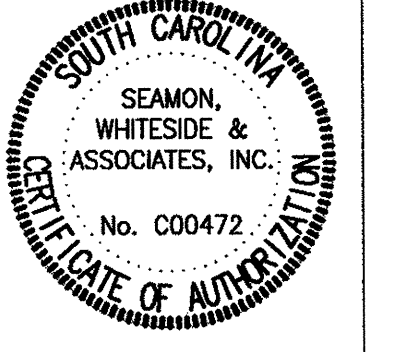
NOTE:
FOR DUMPSTER ENCLOSURE DETAILS, REFER TO LANDSCAPE ARCHITECTURAL PLANS.



HEAVY DUTY PAVING SECTION (NEW PAVEMENT)
(NOT TO SCALE)



DETAIL: PARKING ISLAND GRADING AROUND EXISTING TREES
(NOT TO SCALE)



NO.	DATE	REVISION NOTES	BY	JD	RB	BP	X	X	X	X
1	8/24/05	ADD EXPANSION JOINT								
2	1/06/06	FINAL SUBMITTAL TO TOWN								
3	8/30/06	REVISED HANDICAP RAMP DETAIL								