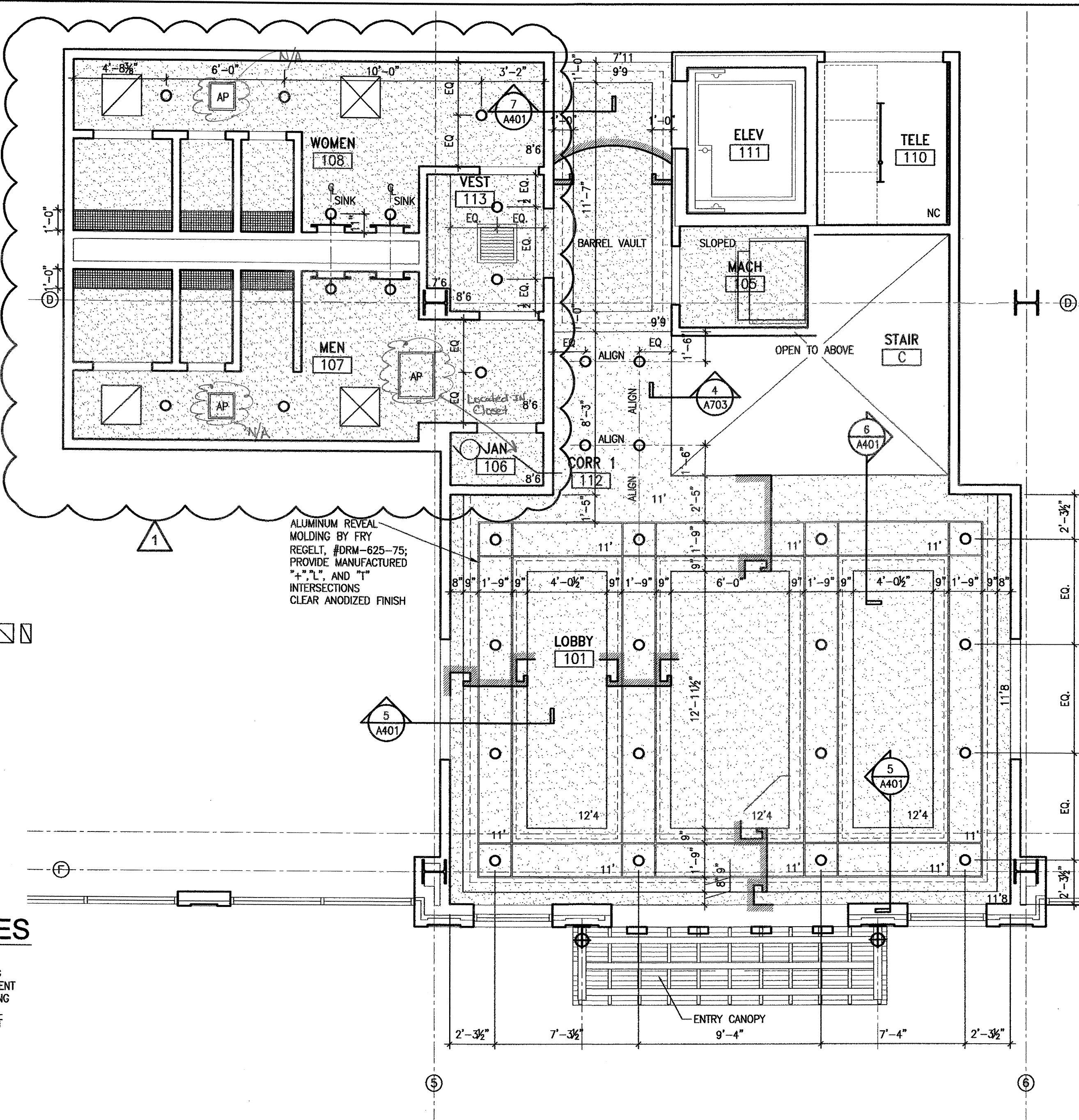


This drawing is the property of McKellar & Associates. Unauthorized use of any kind, including on other projects, is prohibited. April 28, 2006

LEGEND

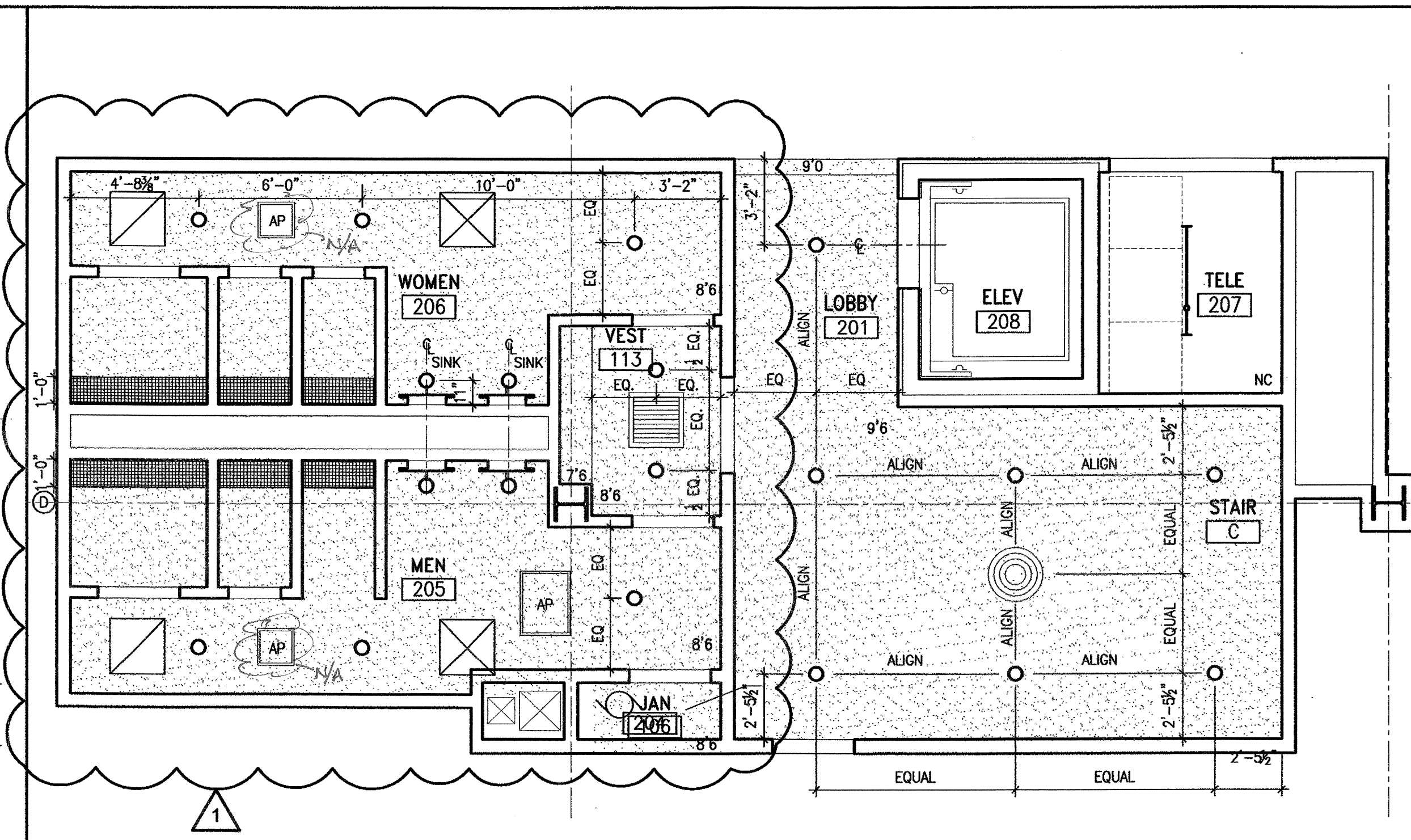
- GYPSUM WALLBOARD
- STRIP FLUORESCENT LIGHT FIXTURE
- RECESSED CAN LIGHT FIXTURE
- WALL MOUNTED SCOFFCE EXTERIOR LIGHT FIXTURE
- EXHAUST FAN
- NO CEILING
- 24" X 24" ACCESS PANEL
- SUPPLY AIR GRILL
- RETURN AIR GRILL
- LINEAR DIFFUSER
- ACT
- 2' X 4' FLUORESCENT LIGHT FIXTURE
- 2' X 4' FLUORESCENT PARABOLIC GRILL LIGHT FIXTURE
- 1' X 4' SURFACE MOUNTED LIGHT FIXTURE
- EXIT SIGN
- CEILING GRILLES



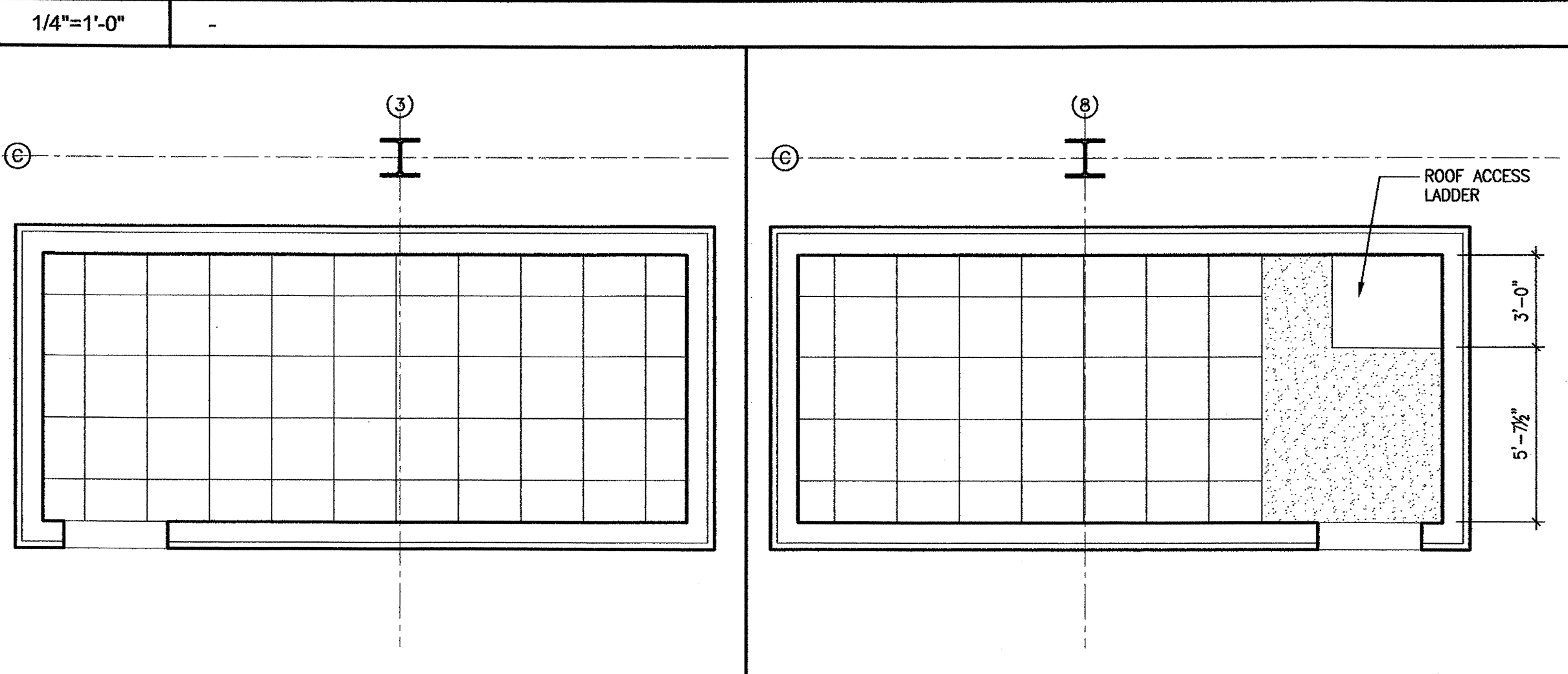
ALUMINUM REVEAL MOLDING BY FRY REGELT, #DRM-625-75; PROVIDE MANUFACTURED "1" AND "1" INTERSECTIONS CLEAR ANODIZED FINISH

GENERAL NOTES

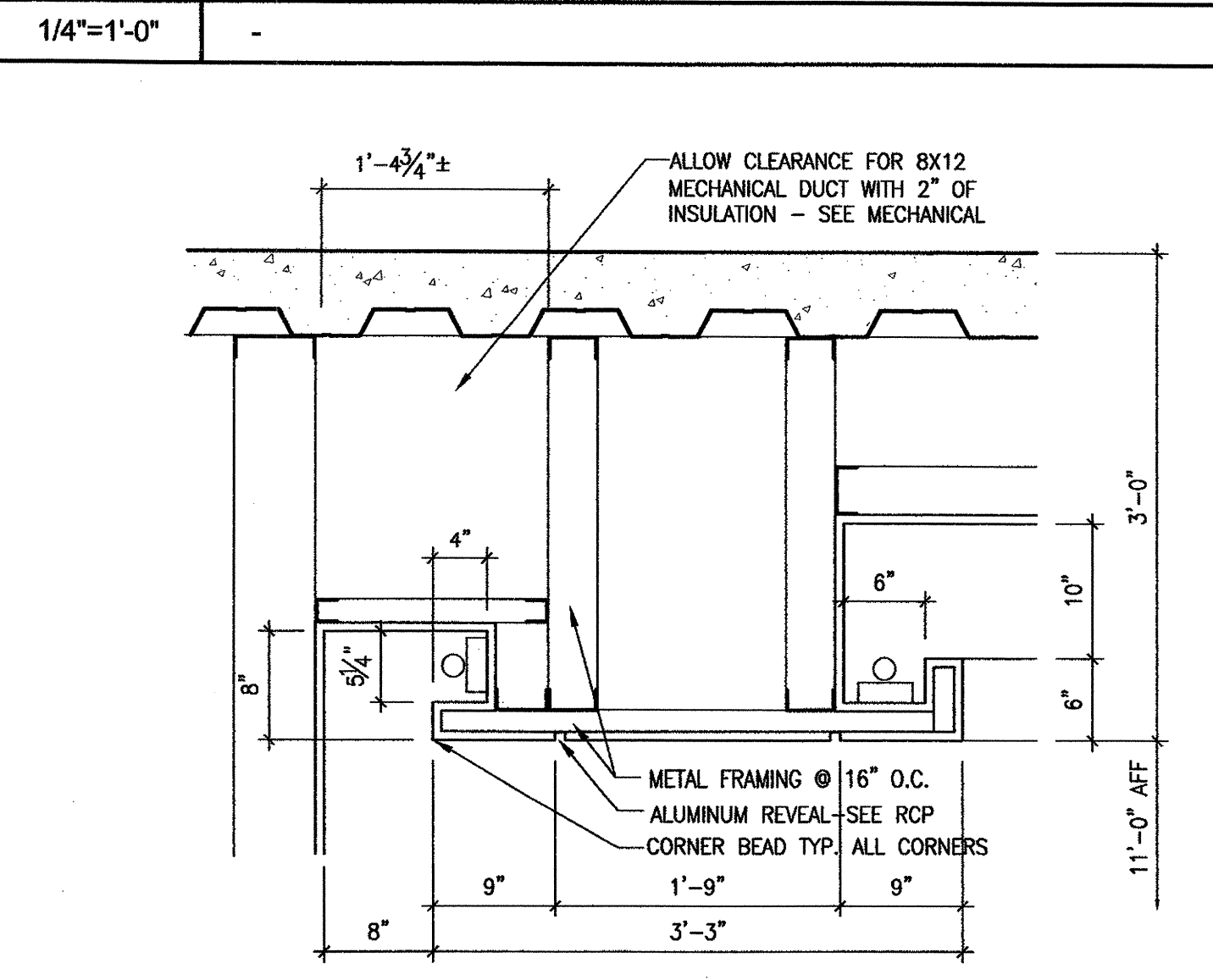
1. COORDINATE AND LOCATE ALL CEILING ELECTRICAL AND MECHANICAL EQUIPMENT AS SHOWN ON THE REFLECTED CEILING PLANS. ELECTRICAL AND MECHANICAL DRAWINGS LOCATE CEILING EQUIPMENT SCHEMATICALLY. SEE ELECTRICAL AND MECHANICAL DRAWINGS FOR LIGHT FIXTURE AND HVAC TYPES.



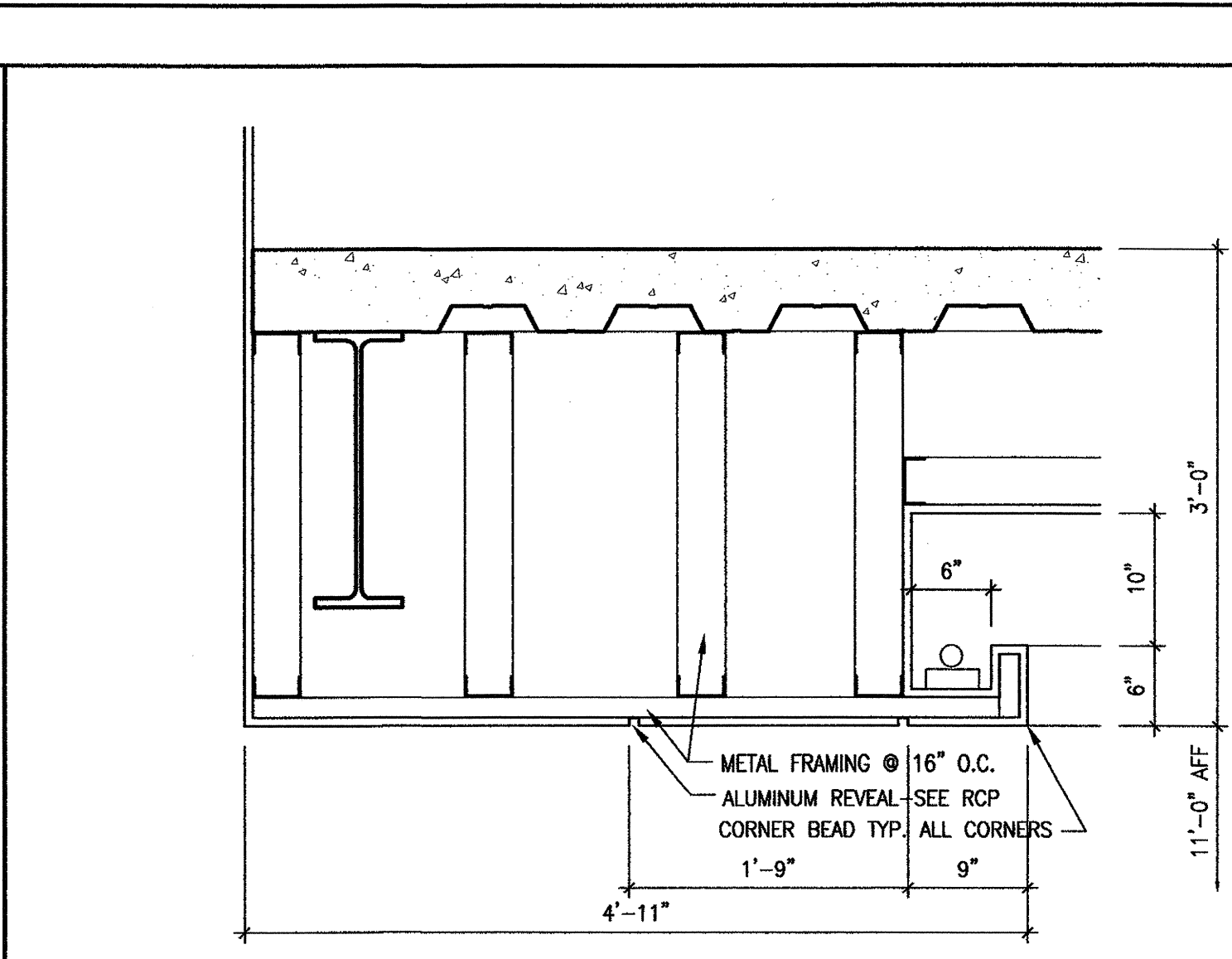
2 ENLARGED SECOND FLOOR CORE REFLECTED CEILING PLAN



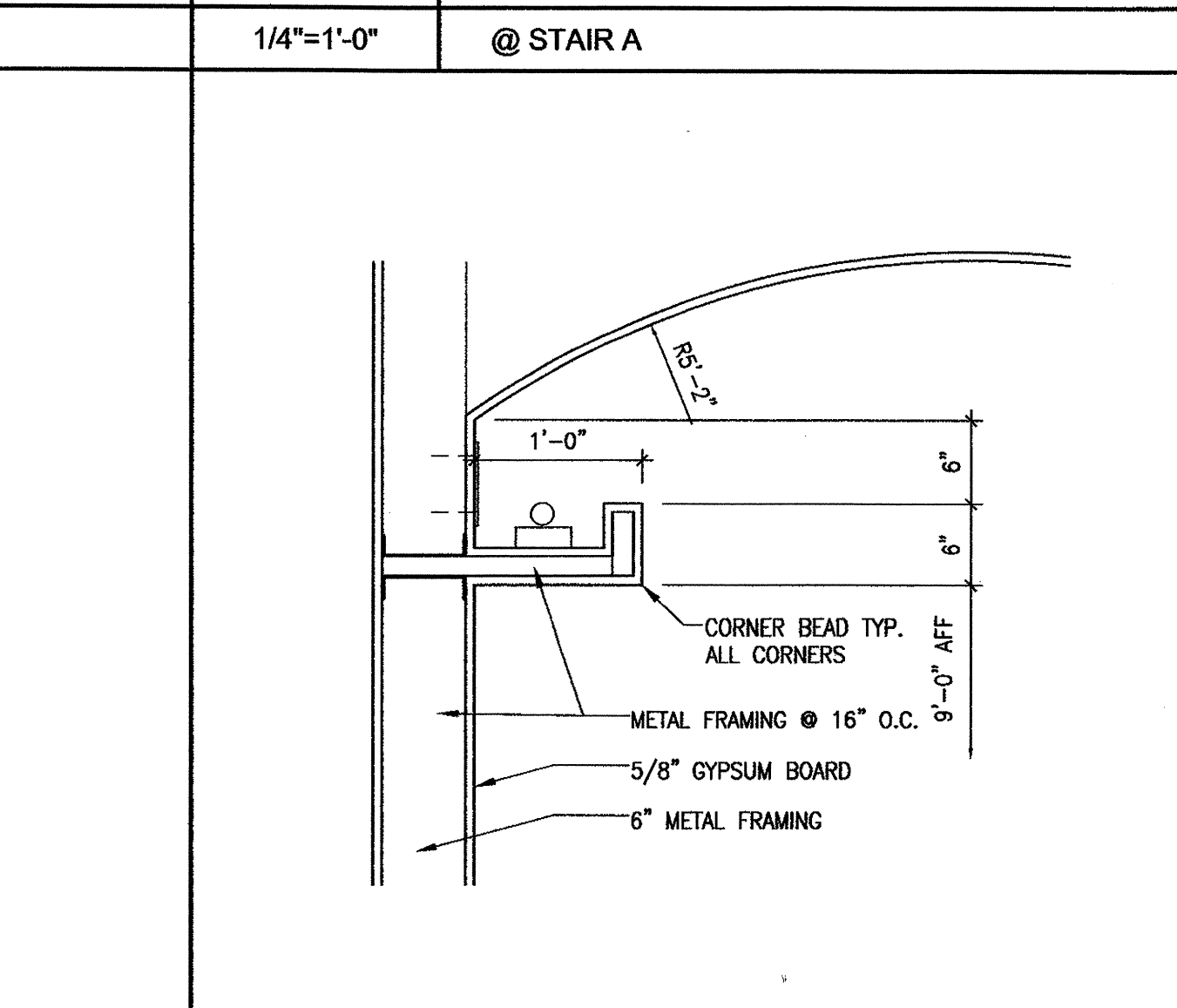
1 ENLARGED FIRST FLOOR CORE REFLECTED CEILING PLAN



3 ENLARGED RCP @ STAIR A



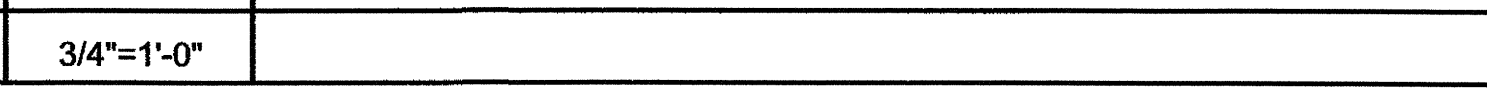
4 ENLARGED RCP @ STAIR B



5 CEILING DETAIL



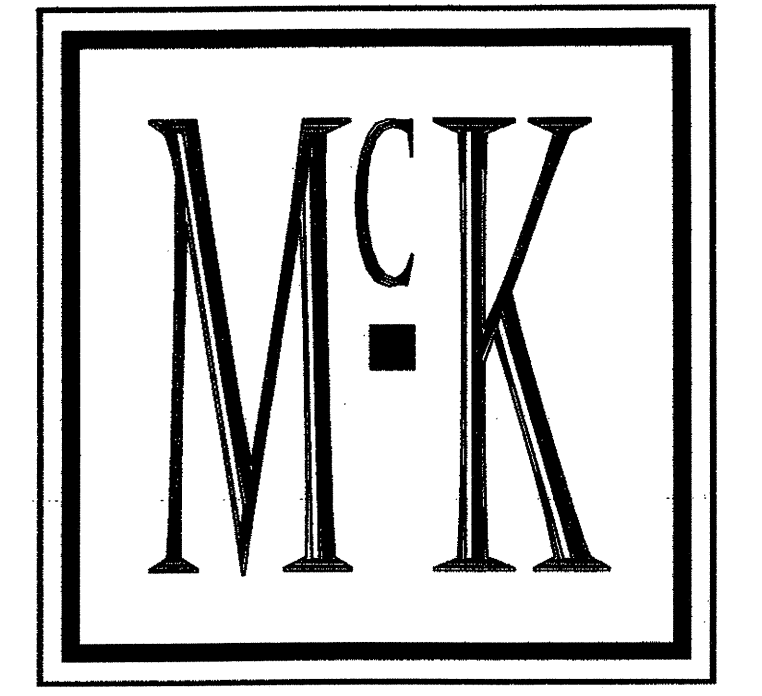
6 CEILING DETAIL



7 CEILING DETAIL



8 NOT USED



McKELLAR & ASSOCIATES
ARCHITECTS

Post Office Box 1076, Mt Pleasant, SC 29465
Phone 843/884.9085 Fax 843/884.9058

1	REVISION 1	04.17.06
NO	REVISION	DATE

OFFICES AT BELLE HALL

LONG POINT ROAD
MT. PLEASANT, SC

BUILDINGS 1 & 2
REFLECTED
CEILING PLANS

A401

DESIGNED	CLS/JLC	SHEET	OF
DRAWN	DL/JLC	SCALE	1/4"=1'-0"
REVIEWED	AWJ	PROJECT NO	200548.10
CHECKED	AMM	DATE	1.6.06

FOR CONSTRUCTION

Drawing name: P:\2005 Project\200548.10 - Buchanan - Belle Hall Offices\A401\A401.dwg Apr 28, 2006 - 11:47am